

EXTERIOR

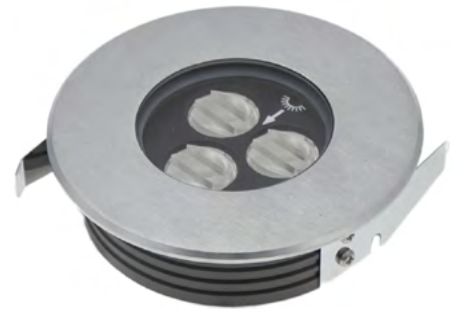


Recessed Effect Lighting

pg 229 - 252

Linear Surface Mount

pg 253 - 254





SPECIFICATIONS

DIMENSIONS	Single Colour: D20 x H21mm RGB: D20 x H29mm
CUT OUT	15mm
COLOUR TEMP	2700K Super Warm White or RGB
IP RATING	IP68
CRI	< 80
DIODE / LIFESPAN	Epistar LED / < 30,000 Hours
MATERIAL	316 Stainless Steel
DRIVER	Sold separately (Remote driven)
APPLICATION	Exterior recess highlighters



Drivers sold separately, specify when ordering.



0.3 WATTS **CV PARALLEL 24V**



Available in **RGB**

AVAILABLE IN

DESCRIPTION	CODE
316 Stainless Steel 2700K	R899 SSWL
316 Stainless Steel 4000K	R899 SSNL
316 Stainless Steel RGB	R899 SSRGBL
316 Stainless Steel Amber	R899 SSAL
316 Stainless Steel Blue	R899 SSBL
316 Stainless Steel Green	R899 SSGL
316 Stainless Steel Red	R899 SSRL

OPTIONAL ACCESSORIES

DESCRIPTION	CODE
FEED CABLE 1M	R899 FC1M
RGB FEED CABLE 1M	R899 FCRGB1M
1.5M LOOP/EXTENSION CABLE	R899 LC1.5M
3M LOOP/EXTENSION CABLE	R899 LC3M
RGB 1.5M LOOP/EXTENSION CABLE	R899 LCRGB1.5M
RGB 3M LOOP/EXTENSION CABLE	R899 LCRGB3M



SPECIFICATIONS

DIMENSIONS	<i>D35 x H29mm</i>
CUT OUT	<i>17mm</i>
COLOUR TEMP	<i>3000K Warm White</i>
IP RATING	<i>IP65</i>
CRI	<i>< 80</i>
DIODE / LIFESPAN	<i>Osram LED / < 35,000 Hours</i>
BEAM ANGLE	<i>80°</i>
MATERIAL	<i>316 STS or Copper</i>
DRIVER	<i>Sold separately</i>
APPLICATION	<i>Interior/ Exterior multipurpose recessed light</i>

1.2 WATTS **62 LUMENS** **350mA SERIES CC**

Drivers sold separately, specify when ordering.



AVAILABLE IN

DESCRIPTION	CODE
316 Stainless Steel 3000K	R646 SSL
Copper 3000K	R646 COL



SPECIFICATIONS

DIMENSIONS	D40 x H34.5mm
CUT OUT	31mm
COLOUR TEMP	3000K Warm White
IP RATING	IP65
CRI	< 80
DIODE / LIFESPAN	Osram LED / < 35,000 Hours
BEAM ANGLE	24°
MATERIAL	316 STS or Copper
DRIVER	Sold separately
APPLICATION	Interior/ Exterior multipurpose recessed light

1.2 WATTS	82 LUMENS	350mA SERIES CC
----------------------	----------------------	----------------------------

Drivers sold separately, specify when ordering.



AVAILABLE IN

DESCRIPTION	CODE
Black 316 STS 3000K	R647 BLL
Copper 3000K	R647 COL
Silver 316 STS 3000K	R647 SL
Raw 316 STS 3000K	R647 SSL
White 316 STS 3000K	R647 WL

EXTERIOR RECESSED MINI EFFECT LIGHT
ROUND CURVE LOW GLARE NARROW BEAM

R744

10



SPECIFICATIONS

DIMENSIONS	<i>D50 x H30mm</i>
CUT OUT	<i>38mm</i>
COLOUR TEMP	<i>3000K Warm White</i>
IP RATING	<i>IP44</i>
CRI	<i>< 80</i>
DIODE / LIFESPAN	<i>Sharp LED / < 40,000 Hours</i>
BEAM ANGLE	<i>30°</i>
MATERIAL	<i>316 Stainless Steel or Copper</i>
DRIVER	<i>Sold separately (Remote driven)</i>
APPLICATION	<i>Exterior / Interior recess highlighter</i>

4 WATTS **221 LUMENS** **350mA SERIES CC**

Drivers sold separately, specify when ordering.



AVAILABLE IN

DESCRIPTION	CODE
Copper 3000K	R744 COL
316 Stainless Steel 3000K	R744 STSL

EXTERIOR MINI RECESSED HIGHLIGHTERS ROUND DISPLAY / DECK LIGHT 8 PACK

R895

10

**0.5
WATTS**

**CV
PARALLEL
24V**



Available in
RGB



SPECIFICATIONS

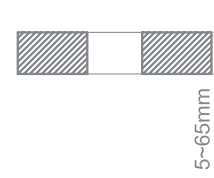
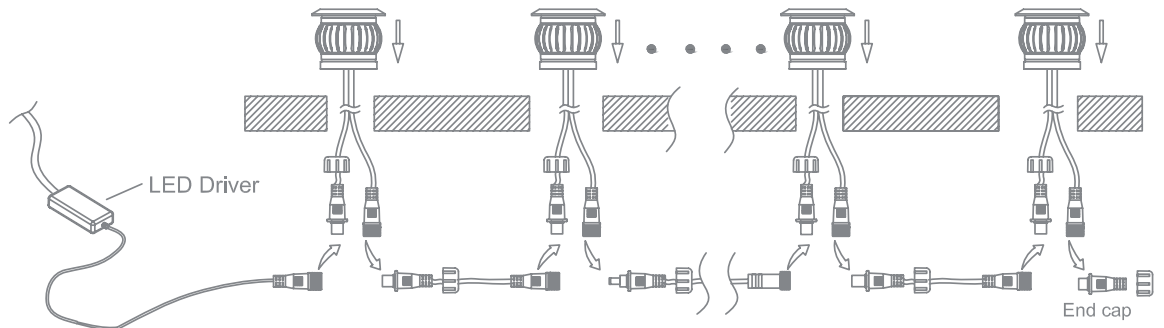
DIMENSIONS	D35 x H24mm
CUT OUT	30mm
COLOUR TEMP	2700K Super Warm White or RGB
IP RATING	IP67
CRI	< 80
DIODE / LIFESPAN	Epistar LED / < 30,000 Hours
BEAM ANGLE	120°
MATERIAL	316 Stainless Steel
DRIVER	Included, pre wired (non dimmable)
APPLICATION	Exterior recess highlighters

AVAILABLE IN

DESCRIPTION	CODE
8 x 316 Stainless Steel 2700K	R895 KSSWL
8 x 316 Stainless Steel RGB	R895 KSSRGL

OPTIONAL ACCESSORIES

DESCRIPTION	CODE
1.5M LOOP/EXTENSION CABLE	R895 LC1.5M
3M LOOP/EXTENSION CABLE	R895 LC3M
RGB 1.5M LOOP/EXTENSION CABLE	R895 LCRGB1.5M
RGB 3M LOOP/EXTENSION CABLE	R895 LCRGB3M



Suitable for installation into 5-65mm thickness decking/roofing.

EXTERIOR MINI RECESSED HIGHLIGHTERS SQUARE DISPLAY / DECK LIGHT 8 PACK

R896

10



0.5 WATTS

CV PARALLEL 24V



Available in **RGB**



SPECIFICATIONS

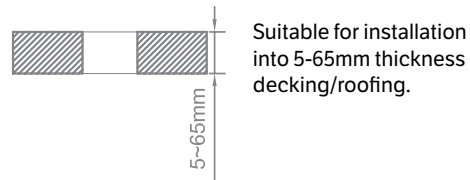
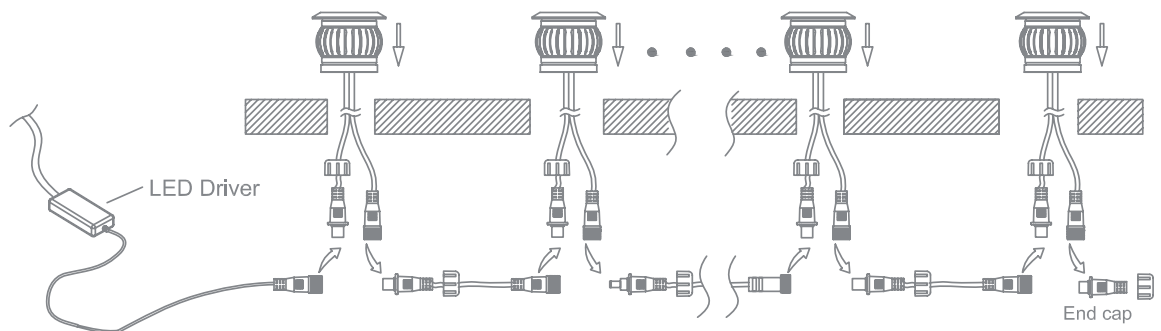
DIMENSIONS	L35 x W35 x H24mm
CUT OUT	30mm
COLOUR TEMP	2700K Super Warm White or RGB
IP RATING	IP67
CRI	< 80
DIODE / LIFESPAN	Epistar LED / < 30,000 Hours
BEAM ANGLE	120°
MATERIAL	316 Stainless Steel
DRIVER	Included, pre wired (non dimmable)
APPLICATION	Exterior recess highlighters

AVAILABLE IN

DESCRIPTION	CODE
316 Stainless Steel 2700K	R896 KSSWL
316 Stainless Steel RGB	R896 KSSRGBL

OPTIONAL ACCESSORIES

DESCRIPTION	CODE
1.5M LOOP/EXTENSION CABLE	R895 LC1.5M
3M LOOP/EXTENSION CABLE	R895 LC3M
RGB 1.5M LOOP/EXTENSION CABLE	R895 LCRGB1.5M
RGB 3M LOOP/EXTENSION CABLE	R895 LCRGB3M



10



R723 Single



R724 Double

SPECIFICATIONS

DIMENSIONS	D42 x H47mm
CUT OUT	30mm
COLOUR TEMP	2700K Super Warm White
IP RATING	IP67
CRI	< 80
DIODE / LIFESPAN	Cree LED / < 30,000 Hours
BEAM ANGLE	60°
MATERIAL	316 Stainless Steel
DRIVER	Sold separately (Remote driven)
APPLICATION	Exterior recess highlighter

1.2 WATTS	57 LUMENS	CV PARALLEL 24V
----------------------	----------------------	--------------------------------



Drivers sold separately, specify when ordering.



AVAILABLE IN

Single

DESCRIPTION	CODE
316 Stainless Steel 2700K	R723 SSL

Two Way

DESCRIPTION	CODE
316 Stainless Steel 2700K	R724 SSL



SPECIFICATIONS

DIMENSIONS	D60 x H84.5mm
CUT OUT	50mm
COLOUR TEMP	3000K Warm White
IP RATING	IP67
CRI	< 80
DIODE / LIFESPAN	Sharp LED / < 35,000 Hours
BEAM ANGLE	30°
MATERIAL	316 Stainless Steel and/or Copper
DRIVER	Sold separately (Constant Voltage 24V)
MAX RUN	8x per circuit
APPLICATION	Exterior inground or wall, accessories available for concrete installations

AVAILABLE IN

DESCRIPTION	CODE
316 Stainless Steel 3000K	EX143 STSL
Copper 3000K	EX143 COL

4.3 WATTS **176 LUMENS** **CV PARALLEL 24V**

Drivers sold separately, specify when ordering.



OPTIONAL ACCESSORIES

DESCRIPTION	CODE
Plastic Housing Vertical Mount	EX143 PH
Aluminium Housing Horizontal Mount	EX143 AH





SPECIFICATIONS

DIMENSIONS	D60 x H97mm
CUT OUT	50mm
COLOUR TEMP	3000K Warm White
IP RATING	IP67
CRI	< 80
DIODE / LIFESPAN	Sharp LED / < 35,000 Hours
BEAM ANGLE	153°
MATERIAL	316 Stainless Steel and/or Copper
DRIVER	Sold separately (Constant Voltage 24V)
MAX RUN	8x per circuit
APPLICATION	Exterior inground or wall

AVAILABLE IN

DESCRIPTION	CODE
316 Stainless Steel 3000K	EX144 STSL
Copper 3000K	EX144 COL

4.3 WATTS	30 LUMENS	CV PARALLEL 24V
----------------------	----------------------	--------------------------------

Drivers sold separately, specify when ordering.



OPTIONAL ACCESSORIES

DESCRIPTION	CODE
Plastic Housing Vertical Mount	EX143 PH
Aluminium Housing Horizontal Mount	EX143 AH





SPECIFICATIONS

DIMENSIONS	D60 x H97mm
CUT OUT	50mm
COLOUR TEMP	3000K Warm White
IP RATING	IP67
CRI	< 80
DIODE / LIFESPAN	Sharp LED / < 35,000 Hours
BEAM ANGLE	141°
MATERIAL	316 Stainless Steel and/or Copper
DRIVER	Sold separately (Constant Voltage 24V)
MAX RUN	8x per circuit
APPLICATION	Exterior inground or wall

AVAILABLE IN

DESCRIPTION	CODE
316 Stainless Steel 3000K	EX145 STSL
Copper 3000K	EX145 COL

4.3 WATTS **2×30 LUMENS** **CV PARALLEL 24V**

Drivers sold separately, specify when ordering.



OPTIONAL ACCESSORIES

DESCRIPTION	CODE
Plastic Housing Vertical Mount	EX143 PH
Aluminium Housing Horizontal Mount	EX143 AH






SPECIFICATIONS

DIMENSIONS	D60 x H97mm
CUT OUT	50mm
COLOUR TEMP	3000K Warm White
IP RATING	IP67
CRI	< 80
DIODE / LIFESPAN	Sharp LED / < 35,000 Hours
BEAM ANGLE	180°
MATERIAL	316 Stainless Steel and/or Copper
DRIVER	Sold separately (Constant Voltage 24V)
MAX RUN	8x per circuit
APPLICATION	Exterior inground or wall

AVAILABLE IN

DESCRIPTION	CODE
316 Stainless Steel 3000K	EX146 STSL
Copper 3000K	EX146 COL

4.3 WATTS	3×30 LUMENS	CV PARALLEL 24V
----------------------	------------------------	--------------------------------



Drivers sold separately, specify when ordering.



OPTIONAL ACCESSORIES

DESCRIPTION	CODE
Plastic Housing Vertical Mount	EX143 PH
Aluminium Housing Horizontal Mount	EX143 AH





SPECIFICATIONS

DIMENSIONS	D60 x H97mm
CUT OUT	50mm
COLOUR TEMP	3000K Warm White
IP RATING	IP67
CRI	< 80
DIODE / LIFESPAN	Sharp LED / < 35,000 Hours
BEAM ANGLE	180°
MATERIAL	316 Stainless Steel and/or Copper
DRIVER	Sold separately (Constant Voltage 24V)
MAX RUN	8x per circuit
APPLICATION	Exterior inground or wall

AVAILABLE IN

DESCRIPTION	CODE
316 Stainless Steel 3000K	EX147 STSL
Copper 3000K	EX147 COL

4.3 WATTS	3x30 LUMENS	CV PARALLEL 24V
----------------------	------------------------	--------------------------------

Drivers sold separately, specify when ordering.



OPTIONAL ACCESSORIES

DESCRIPTION	CODE
Plastic Housing Vertical Mount	EX143 PH
Aluminium Housing Horizontal Mount	EX143 AH



EXTERIOR RECESSED ROUND MULTI PURPOSE MINI UPLIGHT 350mA

R0704

10



RD704 STS

1.2 WATTS	85 LUMENS	350_{mA} SERIES CC
---------------------	---------------------	--------------------------------------

Drivers sold separately, specify when ordering.



SPECIFICATIONS

DIMENSIONS	D47 x H65mm
COLOUR TEMP	3000K Warm White
CUT OUT	36mm
IP RATING	IP67
CRI	< 80
DIODE / LIFESPAN	Sharp LED / < 35,000 Hours
BEAM ANGLE	35°
MATERIAL	316 Stainless Steel
DRIVER	Sold separately (Constant Current 350mA)
APPLICATION	Exterior Uplight or wall

AVAILABLE IN

DESCRIPTION	CODE
316 Stainless Steel 3000K	RD704 STS

316 STAINLESS HOUSING VERSION FOR HORIZONTAL INSTALLATION

SPECIFICATIONS

DIMENSIONS	D47 x H90mm
CUT OUT	39mm
APPLICATION	Concrete Exterior wall

[All other specifications identical to RD704]

AVAILABLE IN

DESCRIPTION	CODE
316 Stainless Steel 3000K (Complete with 316 STS Housing)	R704 STS



PLASTIC HOUSING VERSION FOR VERTICAL INSTALLATION

SPECIFICATIONS

DIMENSIONS	D100 x H90mm
APPLICATION	Concrete Exterior inground

[All other specifications identical to RD704]

AVAILABLE IN

DESCRIPTION	CODE
316 Stainless Steel 3000K (Complete with Plastic Housing)	R704 STSP



EXTERIOR RECESSED SQUARE MULTI PURPOSE MINI UPLIGHT 350mA

RD758

10



RD758 STS

1.2 WATTS	85 LUMENS	350mA SERIES CC
---------------------	---------------------	---------------------------

Drivers sold separately, specify when ordering.



SPECIFICATIONS

DIMENSIONS	L47 x W47 x H65mm
COLOUR TEMP	3000K Warm White
CUT OUT	36mm
IP RATING	IP67
CRI	< 80
DIODE / LIFESPAN	Sharp LED / < 35,000 Hours
BEAM ANGLE	35°
MATERIAL	316 Stainless Steel
DRIVER	Sold separately (Constant Current 350mA)
APPLICATION	Exterior Uplight or wall

AVAILABLE IN

DESCRIPTION	CODE
316 Stainless Steel 3000K	RD758 STS

316 STAINLESS HOUSING VERSION FOR HORIZONTAL INSTALLATION

SPECIFICATIONS

DIMENSIONS	L47 x W47 x H90mm
CUT OUT	39mm
APPLICATION	Concrete Exterior wall

[All other specifications identical to RD758]

AVAILABLE IN

DESCRIPTION	CODE
316 Stainless Steel 3000K (Complete with 316 STS Housing)	R758 STS



PLASTIC HOUSING VERSION FOR VERTICAL INSTALLATION

SPECIFICATIONS

DIMENSIONS	D100 x H90mm
APPLICATION	Concrete Exterior inground

[All other specifications identical to RD758]

AVAILABLE IN

DESCRIPTION	CODE
316 Stainless Steel 3000K (Complete with Plastic Housing)	R758 STSP



EXTERIOR RECESSED ROUND TRIPLE BEAM MULTI PURPOSE MINI UPLIGHT 350mA

RD709

10



RD709 STS

1.2 WATTS	85 LUMENS	350_{mA} SERIES CC
---------------------	---------------------	--------------------------------------

Drivers sold separately, specify when ordering.



SPECIFICATIONS

DIMENSIONS	D47 x H65mm
COLOUR TEMP	3000K Warm White
CUT OUT	36mm
IP RATING	IP67
CRI	< 80
DIODE / LIFESPAN	Sharp LED / < 35,000 Hours
BEAM ANGLE	35°
MATERIAL	316 Stainless Steel
DRIVER	Sold separately (Constant Current 350mA)
APPLICATION	Exterior Uplight or wall

AVAILABLE IN

DESCRIPTION	CODE
316 Stainless Steel 3000K	RD709 STS

316 STAINLESS HOUSING VERSION FOR HORIZONTAL INSTALLATION

SPECIFICATIONS

DIMENSIONS	D47 x H90mm
CUT OUT	39mm
APPLICATION	Concrete Exterior inground or wall

[All other specifications identical to RD709]

AVAILABLE IN

DESCRIPTION	CODE
316 Stainless Steel 3000K (Complete with 316 STS Housing)	R709 STS



PLASTIC HOUSING VERSION FOR VERTICAL INSTALLATION

SPECIFICATIONS

DIMENSIONS	D100 x H90mm
APPLICATION	Concrete Exterior inground or wall

[All other specifications identical to RD709]

AVAILABLE IN

DESCRIPTION	CODE
316 Stainless Steel 3000K (Complete with Plastic Housing)	R709 STSP

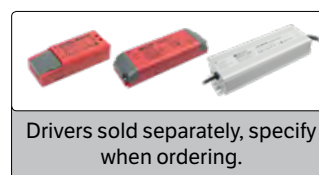




SPECIFICATIONS

DIMENSIONS	D60 x H47mm
CUT OUT	52mm
COLOUR TEMP	2700K Super Warm White, Blue or Green
IP RATING	IP68
CRI	< 80
DIODE / LIFESPAN	Cree LED / < 30,000 Hours
BEAM ANGLE	60°
MATERIAL	316 Stainless Steel
DRIVER	Sold separately (Constant Voltage 24V)
APPLICATION	Exterior Deck or Ceiling

2 WATTS **70 LUMENS** **CV PARALLEL 24V**



Available in **Green or Blue**



AVAILABLE IN

DESCRIPTION	CODE
316 STS 2700K	R900 SSL
316 STS Blue	R900 SSBL
316 STS Green	R900 SSGL



SPECIFICATIONS

DIMENSIONS	D76 x H49mm
CUT OUT	60mm
COLOUR TEMP	2700K Super Warm White, Blue or Green
IP RATING	IP68
CRI	< 80
DIODE / LIFESPAN	Cree LED / < 30,000 Hours
BEAM ANGLE	60°
MATERIAL	316 Stainless Steel
DRIVER	Sold separately (Constant Voltage 24V)
APPLICATION	Exterior Deck or Ceiling

4 WATTS	180 LUMENS	CV PARALLEL 24V
--------------------	-----------------------	--------------------------------

Drivers sold separately, specify when ordering.

Available in
Green or Blue



AVAILABLE IN

DESCRIPTION	CODE
316 STS 2700K	R901 SSL
316 STS Blue	R901 SSBL
316 STS Green	R901 SSGL



SPECIFICATIONS

DIMENSIONS	D64 x H53mm
CUT OUT	56mm
COLOUR TEMP	3000K Warm White
IP RATING	IP65
CRI	< 80
DIODE / LIFESPAN	Osram LED / < 50,000 Hours
BEAM ANGLE	80°
MATERIAL	Aluminium
DRIVER	Sold separately
APPLICATION	Interior/ Exterior multipurpose recessed light

3 WATTS	136 LUMENS	700mA SERIES CC
----------------	-------------------	------------------------

Drivers sold separately, specify when ordering.



AVAILABLE IN

DESCRIPTION	CODE
Brushed Aluminium 3000K	R721 BA



SPECIFICATIONS

DIMENSIONS	L64 x W64 x H53mm
CUT OUT	56mm
COLOUR TEMP	3000K Warm White
IP RATING	IP65
CRI	< 80
DIODE / LIFESPAN	Osram LED / < 50,000 Hours
BEAM ANGLE	80°
MATERIAL	Aluminium
DRIVER	Sold separately
APPLICATION	Interior / Exterior multipurpose recessed light

3 WATTS	136 LUMENS	700mA SERIES CC
--------------------	-----------------------	----------------------------

Drivers sold separately, specify when ordering.



AVAILABLE IN

DESCRIPTION	CODE
Brushed Aluminium 3000K	R722 BA



USTSL STANDARD BEAM

ASTSL ASYMMETRIC BEAM



LSTSL LOW GLARE

SPECIFICATIONS

COLOUR TEMP	2700K
INPUT VOLTAGE	24V DC
IP RATING	IP67
CUT OUT	44mm
IK RATING	IK08
WORKING TEMP	-20° to 40°C
GLASS TYPE	Step Tempered Glass T=7mm
WEIGHT CAPACITY	< 1106kg
CRI	< 80
DIODE / LIFESPAN	Osram LED / < 40,000 Hours
BEAM ANGLE	USTSL Uplight - 45° ASTSL Asymmetric - 45° 35° LSTSL Low Glare - N/A
FRONT FACE	316 Stainless Steel
DRIVER	Remote Driven, Sold separately 24V DC
COMPLETE WITH	Pre wired with 24V IP68 feed
APPLICATION	Exterior Deck/stair light.

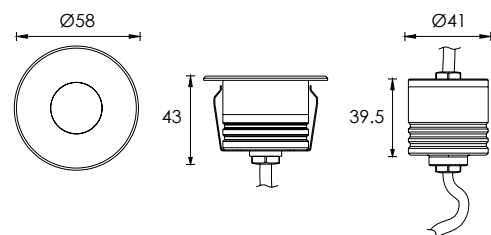
USTSL / ASTSL

24V PARALLEL	2 WATTS	110 LUMENS
------------------------	-------------------	----------------------

LSTSL

24V PARALLEL	3x0.43 WATTS	40 LUMENS
------------------------	------------------------	---------------------

DIMENSIONS

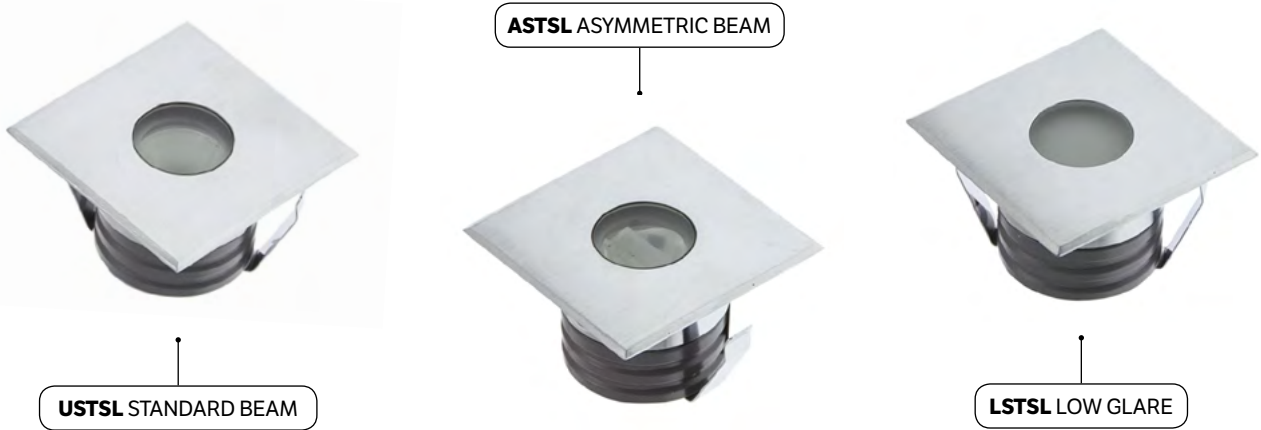


INSTALLATION NOTES

- 1/ Minimum deck thickness **10mm**.
- 2/ Minimum **60mm** depth clearance.
- 3/ Take pride with installation. All cable joints must be Resin or IP68 type (standard crimps, terminal blocks and PVC tape are not suitable cable joining methods.) Incorrect installation will result in water ingress and luminaire failure.

AVAILABLE IN

DESCRIPTION	CODE
316 STS 2700K Standard	EX350 USTSL
316 STS 2700K Asymmetric	EX350 ASTSL
316 STS 2700K Low Glare	EX350 LSTSL



SPECIFICATIONS

COLOUR TEMP	2700K
INPUT VOLTAGE	24V DC
IP RATING	IP67
CUT OUT	44mm
IK RATING	IK08
WORKING TEMP	-20° to 40°C
GLASS TYPE	Step Tempered Glass T=7mm
WEIGHT CAPACITY	< 1106kg
CRI	< 80
DIODE / LIFESPAN	Osram LED / < 40,000 Hours
BEAM ANGLE	USTSL Uplight - 45° ASTSL Asymmetric - 45° 35° LSTSL Low Glare - N/A
FRONT FACE	316 Stainless Steel
DRIVER	Remote Driven, Sold separately 24V DC
COMPLETE WITH	Pre wired with 24V IP68 feed
APPLICATION	Exterior Deck/stair light.

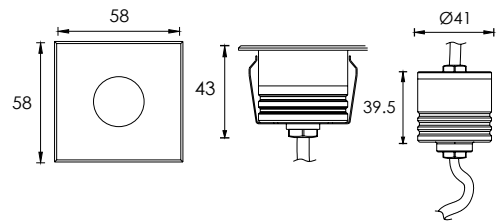
USTSL / ASTSL

24V PARALLEL	2 WATTS	110 LUMENS
------------------------	-------------------	----------------------

LSTSL

24V PARALLEL	3×0.43 WATTS	40 LUMENS
------------------------	------------------------	---------------------

DIMENSIONS



INSTALLATION NOTES

- 1/ Minimum deck thickness **10mm**.
- 2/ Minimum **60mm** depth clearance.
- 3/ Take pride with installation. All cable joints must be Resin or IP68 type (standard crimps, terminal blocks and PVC tape are not suitable cable joining methods.) Incorrect installation will result in water ingress and luminaire failure.

AVAILABLE IN

DESCRIPTION	CODE
316 STS 2700K Standard	EX351 USTSL
316 STS 2700K Asymmetric	EX351 ASTSL
316 STS 2700K Low Glare	EX351 LSTSL



SPECIFICATIONS

COLOUR TEMP	2700K
INPUT VOLTAGE	24V DC
IP RATING	IP67
CUT OUT	Ø103mm
IK RATING	IK08
WORKING TEMP	-20° to 40°C
GLASS TYPE	Step Tempered Glass T=8mm
WEIGHT CAPACITY	< 3370kg
CRI	< 80
DIODE / LIFESPAN	Osram LED / < 40,000 Hours
BEAM ANGLE	USTSL Uplight - 45° ASTSL Asymmetric - 45° 35° LSTSL Low Glare - N/A
FRONT FACE	316 Stainless Steel
DRIVER	Remote Driven, Sold separately 24V DC
COMPLETE WITH	Pre wired with 24V IP68 feed
APPLICATION	Exterior Deck/stair light.

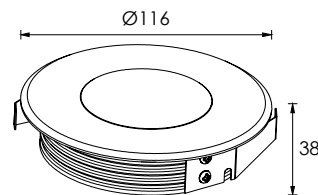
USTSL / ASTSL

24V PARALLEL	6 WATTS	388 LUMENS
------------------------	-------------------	----------------------

LSTSL

24V PARALLEL	0.8 WATTS	30 LUMENS
------------------------	---------------------	---------------------

DIMENSIONS



INSTALLATION NOTES

- 1/ Minimum deck thickness **10mm**.
- 2/ Minimum **50mm** depth clearance.
- 3/ Take pride with installation. All cable joints must be Resin or IP68 type (standard crimps, terminal blocks and PVC tape are not suitable cable joining methods.) Incorrect installation will result in water ingress and luminaire failure.

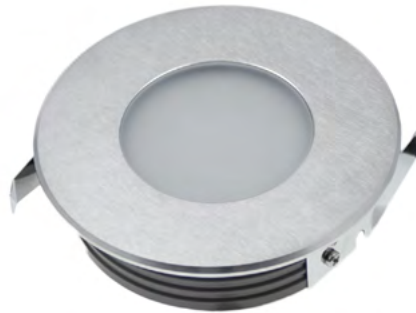
AVAILABLE IN

DESCRIPTION	CODE
316 STS 2700K Standard	EX352 USTSL
316 STS 2700K Asymmetric	EX352 ASTSL
316 STS 2700K Low Glare	EX352 LSTSL

EXTERIOR RECESSED DECK LIGHT FOUR COLOUR RGB+W UPLIGHT ROUND

EX352

10



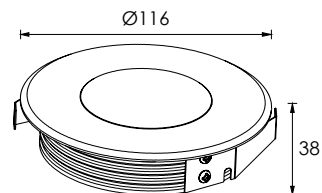
24V RGB+W
Version

SPECIFICATIONS

COLOUR TEMP	RGB + 2700K
INPUT VOLTAGE	24V DC
IP RATING	IP67
CUT OUT	Ø103mm
IK RATING	IK08
WORKING TEMP	-20° to 40°C
GLASS TYPE	Step Tempered Glass T=8mm
WEIGHT CAPACITY	< 3370kg
CRI	< 80
DIODE / LIFESPAN	Osram LED / < 40,000 Hours
FRONT FACE	316 Stainless Steel
DRIVER	Remote Driven, Sold separately 24V DC
COMPLETE WITH	Pre wired with 24V IP68 feed
APPLICATION	Exterior Deck/stair light.

24V PARALLEL	1.7 WATTS	30 AVG. LUMENS
------------------------	---------------------	--------------------------

DIMENSIONS

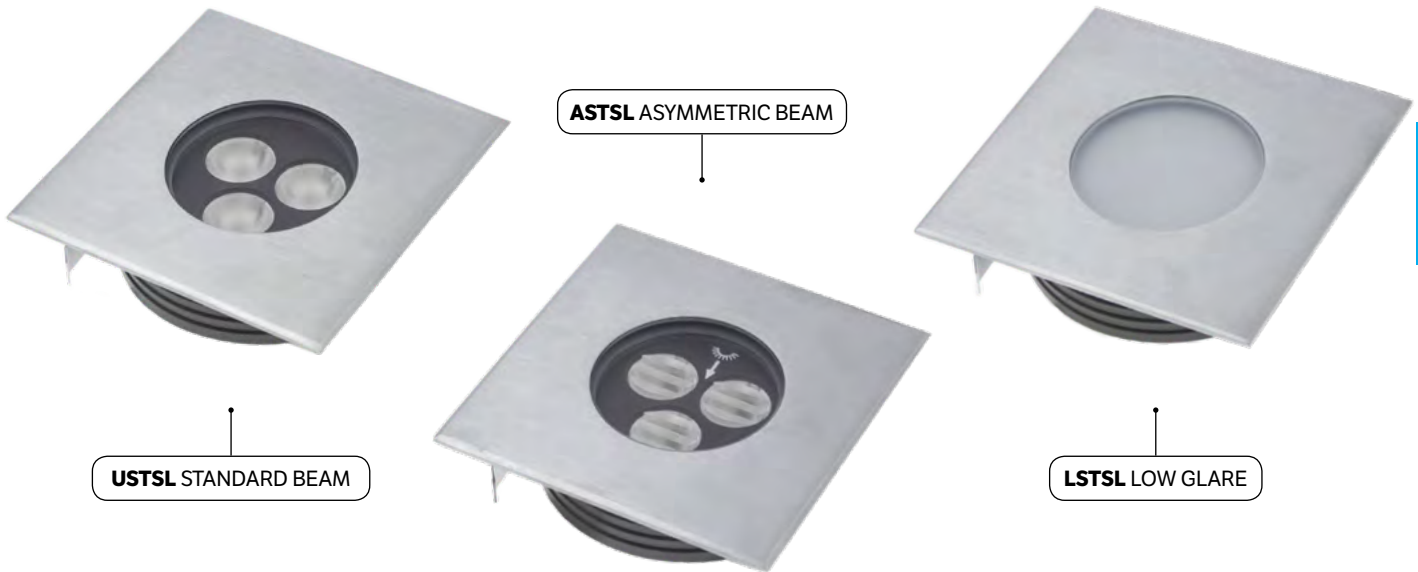


INSTALLATION NOTES

- 1/ Minimum deck thickness **10mm**.
- 2/ Minimum **50mm** depth clearance.
- 3/ Take pride with installation. All cable joints must be Resin or IP68 type (standard crimps, terminal blocks and PVC tape are not suitable cable joining methods.) Incorrect installation will result in water ingress and luminaire failure.

AVAILABLE IN

DESCRIPTION	CODE
316 STS RGB+W	EX352 RSTSL



SPECIFICATIONS

COLOUR TEMP	2700K
INPUT VOLTAGE	24V DC
IP RATING	IP67
CUT OUT	Ø103mm
IK RATING	IK08
WORKING TEMP	-20° to 40°C
GLASS TYPE	Step Tempered Glass T=8mm
WEIGHT CAPACITY	< 3370kg
CRI	< 80
DIODE / LIFESPAN	Osram LED / < 40,000 Hours
BEAM ANGLE	USTSL Uplight - 45° ASTSL Asymmetric - 45° 35° LSTSL Low Glare - N/A
FRONT FACE	316 Stainless Steel
DRIVER	Remote Driven, Sold separately 24V DC
COMPLETE WITH	Pre wired with 24V IP68 feed
APPLICATION	Exterior Deck/stair light.

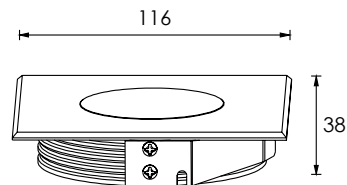
USTSL / ASTSL

24V PARALLEL	6 WATTS	388 LUMENS
------------------------	-------------------	----------------------

LSTSL

24V PARALLEL	0.8 WATTS	30 LUMENS
------------------------	---------------------	---------------------

DIMENSIONS



INSTALLATION NOTES

- 1/ Minimum deck thickness **10mm**.
- 2/ Minimum **50mm** depth clearance.
- 3/ Take pride with installation. All cable joints must be Resin or IP68 type (standard crimps, terminal blocks and PVC tape are not suitable cable joining methods.) Incorrect installation will result in water ingress and luminaire failure.

AVAILABLE IN

DESCRIPTION	CODE
316 STS 2700K Standard	EX353 USTSL
316 STS 2700K Asymmetric	EX353 ASTSL
316 STS 2700K Low Glare	EX353 LSTSL



SPECIFICATIONS

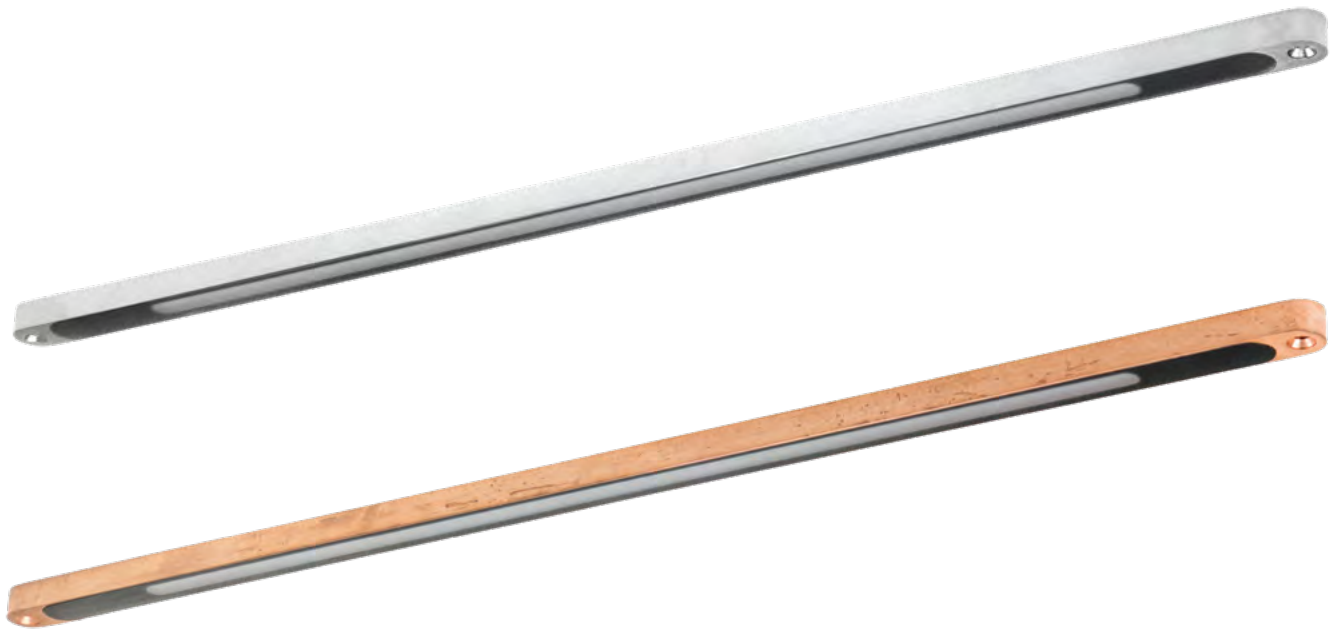
DIMENSIONS	L250 x W16 x D10mm
CUT OUT	N/A - Surface Mount
COLOUR TEMP	3000K Warm White
IP RATING	IP67
CRI	< 80
DIODE / LIFESPAN	Phillips LED / < 35,000 Hours
MATERIAL	316 Stainless Steel or Copper
DRIVER	Not included, remote driven
APPLICATION	Exterior Surface Mount

3 WATTS	180 LUMENS	CV PARALLEL 24V
--------------------	-----------------------	--------------------------------

Drivers sold separately, specify when ordering.

AVAILABLE IN

DESCRIPTION	CODE
316 Stainless Steel 3000K	EX306 1BSS
Copper 3000K	EX306 1BCO



SPECIFICATIONS

DIMENSIONS	<i>L450 x W16 x D10mm</i>
CUT OUT	<i>N/A - Surface Mount</i>
COLOUR TEMP	<i>3000K Warm White</i>
IP RATING	<i>IP67</i>
CRI	<i>< 80</i>
DIODE / LIFESPAN	<i>Phillips LED / < 35,000 Hours</i>
MATERIAL	<i>316 Stainless Steel or Copper</i>
DRIVER	<i>Not included, remote driven</i>
APPLICATION	<i>Exterior Surface Mount</i>

6 WATTS	400 LUMENS	CV PARALLEL 24V
--------------------	-----------------------	--------------------------------

Drivers sold separately, specify when ordering.

AVAILABLE IN

DESCRIPTION	CODE
316 Stainless Steel 3000K	EX308 1BSS
Copper 3000K	EX308 1BCO

Standard
pg 257 - 273

Drive Over
pg 274 - 279





SPECIFICATIONS

COLOUR TEMP	2700K
INPUT VOLTAGE	24V DC
IP RATING	IP67
IK RATING	IK08
WORKING TEMP	-20° to 40°C
GLASS TYPE	Step Tempered Glass T=7mm
WEIGHT CAPACITY	< 1704kg
CRI	< 80
DIODE / LIFESPAN	Osram LED / < 40,000 Hours
BEAM ANGLE	USTSL Uplight - 45° ASTSL Asymmetric - 45° 35° LSTSL Low Glare - N/A
FRONT FACE	316 Stainless Steel
DRIVER	Remote Driven, Sold separately 24V DC
COMPLETE WITH	ABS Plastic Installation Sleeve
APPLICATION	Exterior inground

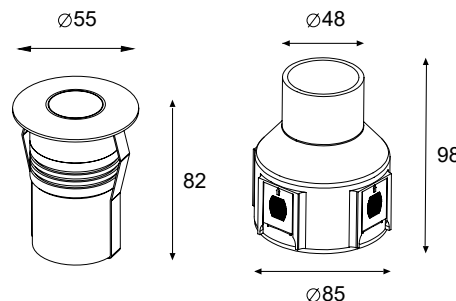
USTSL / ASTSL

24V PARALLEL	2.5 WATTS	110 LUMENS
------------------------	---------------------	----------------------

LSTSL

24V PARALLEL	3x0.43 WATTS	40 LUMENS
------------------------	------------------------	---------------------

DIMENSIONS



INSTALLATION NOTES

Take pride with installation. All cable joints must be Resin or IP68 type (standard crimps, terminal blocks and PVC tape are not suitable cable joining methods.) Always install over a drained substrate. Incorrect installation will result in water ingress and luminaire failure.

AVAILABLE IN

DESCRIPTION	CODE
316 STS 2700K Standard	EX320 USTSL
316 STS 2700K Asymmetric	EX320 ASTSL
316 STS 2700K Low Glare	EX320 LSTSL



11

SPECIFICATIONS

COLOUR TEMP	2700K
INPUT VOLTAGE	24V DC
IP RATING	IP67
IK RATING	IK08
WORKING TEMP	-20° to 40°C
GLASS TYPE	Step Tempered Glass T=7mm
WEIGHT CAPACITY	< 1704kg
CRI	< 80
DIODE / LIFESPAN	Osram LED / < 40,000 Hours
BEAM ANGLE	USTSL Uplight - 45° ASTSL Asymmetric - 45° 35° LSTSL Low Glare - N/A
FRONT FACE	316 Stainless Steel
DRIVER	Remote Driven, Sold separately 24V DC
COMPLETE WITH	ABS Plastic Installation Sleeve
APPLICATION	Exterior inground

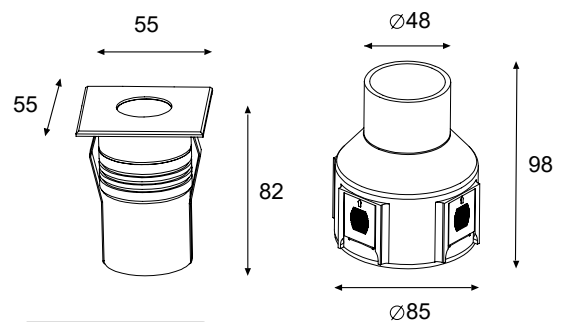
USTSL / ASTSL

24V PARALLEL	2.5 WATTS	110 LUMENS
------------------------	---------------------	----------------------

LSTSL

24V PARALLEL	3x0.43 WATTS	40 LUMENS
------------------------	------------------------	---------------------

DIMENSIONS



INSTALLATION NOTES

Take pride with installation. All cable joints must be Resin or IP68 type (standard crimps, terminal blocks and PVC tape are not suitable cable joining methods.) Always install over a drained substrate. Incorrect installation will result in water ingress and luminaire failure.

AVAILABLE IN

DESCRIPTION	CODE
316 STS 2700K Standard	EX321 USTSL
316 STS 2700K Asymmetric	EX321 ASTSL
316 STS 2700K Low Glare	EX321 LSTSL



USTSL STANDARD BEAM

ASTSL ASYMMETRIC BEAM

LSTSL LOW GLARE

SPECIFICATIONS

COLOUR TEMP	2700K
INPUT VOLTAGE	24V DC
IP RATING	IP67
IK RATING	IK08
WORKING TEMP	-20° to 40°C
GLASS TYPE	Step Tempered Glass T=8mm
WEIGHT CAPACITY	< 3251kg
CRI	< 80
DIODE / LIFESPAN	Osram LED / < 40,000 Hours
BEAM ANGLE	USTSL Uplight - 45° ASTSL Asymmetric - 45° 35° LSTSL Low Glare - N/A
FRONT FACE	316 Stainless Steel
DRIVER	Remote Driven, Sold separately 24V DC
COMPLETE WITH	ABS Plastic Installation Sleeve
APPLICATION	Exterior inground

USTSL / ASTSL

24V
PARALLEL

3×2.2
WATTS

333
LUMENS

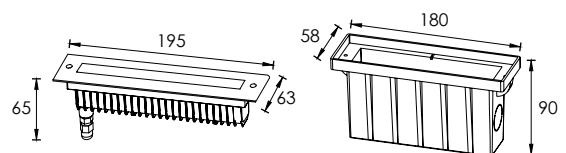
LSTSL

24V
PARALLEL

10×0.3
WATTS

40
LUMENS

DIMENSIONS



INSTALLATION NOTES

- 1/ Use provided inner support plates to ensure housing does not distort during construction process.
- 2/ Take pride with installation. All cable joints must be Resin or IP68 type (standard crimps, terminal blocks and PVC tape are not suitable cable joining methods.)
- 3/ If installing in ground always install over a drained substrate. Incorrect installation will result in water ingress and luminaire failure.

AVAILABLE IN

DESCRIPTION	CODE
316 STS 2700K Standard	EX310 USTSL
316 STS 2700K Asymmetric	EX310 ASTSL
316 STS 2700K Low Glare	EX310 LSTSL



USTSL STANDARD BEAM

ASTSL ASYMMETRIC BEAM

LSTSL LOW GLARE

11

SPECIFICATIONS

COLOUR TEMP	2700K
INPUT VOLTAGE	24V DC
IP RATING	IP67
IK RATING	IK08
WORKING TEMP	-20° to 40°C
GLASS TYPE	Step Tempered Glass T=8mm
WEIGHT CAPACITY	< 3251kg
CRI	< 80
DIODE / LIFESPAN	Osram LED / < 40,000 Hours
BEAM ANGLE	USTSL Uplight - 45° ASTSL Asymmetric - 45° 35° LSTSL Low Glare - N/A
FRONT FACE	316 Stainless Steel
DRIVER	Remote Driven, Sold separately 24V DC
COMPLETE WITH	ABS Plastic Installation Sleeve
APPLICATION	Exterior inground

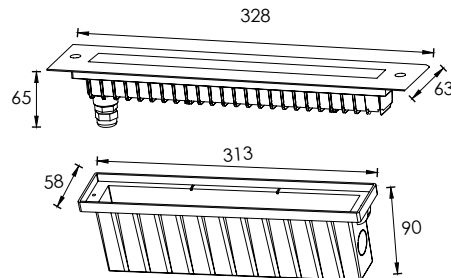
USTSL / ASTSL

24V PARALLEL	6×2.2 WATTS	733 LUMENS
-------------------------	------------------------	-----------------------

LSTSL

24V PARALLEL	20×0.3 WATTS	100 LUMENS
-------------------------	-------------------------	-----------------------

DIMENSIONS



INSTALLATION NOTES

- 1/ Use provided inner support plates to ensure housing does not distort during construction process.
- 2/ Take pride with installation. All cable joints must be Resin or IP68 type (standard crimps, terminal blocks and PVC tape are not suitable cable joining methods.)
- 3/ If installing in ground always install over a drained substrate. Incorrect installation will result in water ingress and luminaire failure.

AVAILABLE IN

DESCRIPTION	CODE
316 STS 2700K Standard	EX311 USTSL
316 STS 2700K Asymmetric	EX311 ASTSL
316 STS 2700K Low Glare	EX311 LSTSL

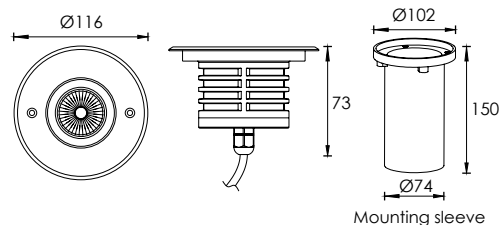


SPECIFICATIONS

COLOUR TEMP	2700K
INPUT VOLTAGE	24V DC
IP RATING	IP67
IK RATING	IK09
WORKING TEMP	-20° to 40°C
GLASS TYPE	Step Tempered Glass T=8mm
WEIGHT CAPACITY	< 2578kg
CRI	< 80
DIODE / LIFESPAN	Osram COB LED / < 40,000 Hours
BEAM ANGLE	40°
FRONT FACE	316 Stainless Steel
DRIVER	Remote Driven, Sold separately 24V DC
COMPLETE WITH	ABS Plastic Installation Sleeve
APPLICATION	Exterior inground

24V PARALLEL	6.5 WATTS	529 LUMENS
-------------------------	----------------------	-----------------------

DIMENSIONS



INSTALLATION NOTES

Take pride with installation. All cable joints must be Resin or IP68 type (standard crimps, terminal blocks and PVC tape are not suitable cable joining methods.) Always install over a drained substrate. Incorrect installation will result in water ingress and luminaire failure.

AVAILABLE IN

DESCRIPTION	CODE
316 STS 2700K	EX330 USTSL

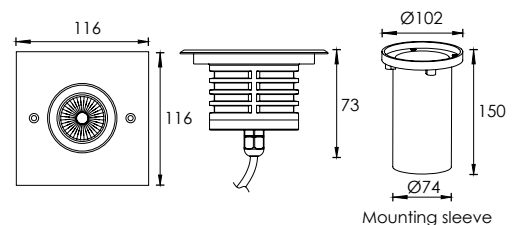


SPECIFICATIONS

COLOUR TEMP	2700K
INPUT VOLTAGE	24V DC
IP RATING	IP67
IK RATING	IK09
WORKING TEMP	-20° to 40°C
GLASS TYPE	Step Tempered Glass T=8mm
WEIGHT CAPACITY	< 2578kg
CRI	< 80
DIODE / LIFESPAN	Osram COB LED / < 40,000 Hours
BEAM ANGLE	40°
FRONT FACE	316 Stainless Steel
DRIVER	Remote Driven, Sold separately 24V DC
COMPLETE WITH	ABS Plastic Installation Sleeve
APPLICATION	Exterior inground

24V PARALLEL	6.5 WATTS	529 LUMENS
-------------------------	----------------------	-----------------------

DIMENSIONS



INSTALLATION NOTES

Take pride with installation. All cable joints must be Resin or IP68 type (standard crimps, terminal blocks and PVC tape are not suitable cable joining methods.) Always install over a drained substrate. Incorrect installation will result in water ingress and luminaire failure.

AVAILABLE IN

DESCRIPTION	CODE
316 STS 2700K	EX331 USTSL

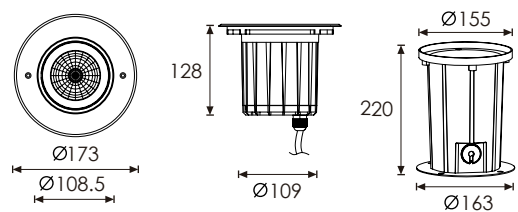


SPECIFICATIONS

COLOUR TEMP	2700K
INPUT VOLTAGE	24V DC
IP RATING	IP67
IK RATING	IK10
WORKING TEMP	-20° to 40°C
GLASS TYPE	Step Tempered Glass T=10mm
WEIGHT CAPACITY	< 4,455kg
CRI	< 80
DIODE / LIFESPAN	Osram COB LED / < 40,000 Hours
BEAM ANGLE	22°
FRONT FACE	316 Stainless Steel
DRIVER	Remote Driven, Sold separately 24V DC
COMPLETE WITH	ABS Plastic Installation Sleeve
APPLICATION	Exterior inground

24V PARALLEL	14.1 WATTS	935 LUMENS
------------------------	----------------------	----------------------

DIMENSIONS



INSTALLATION NOTES

Take pride with installation. All cable joints must be Resin or IP68 type (standard crimps, terminal blocks and PVC tape are not suitable cable joining methods.) Always install over a drained substrate. Incorrect installation will result in water ingress and luminaire failure.

AVAILABLE IN

DESCRIPTION	CODE
316 STS 2700K	EX332 USTSL

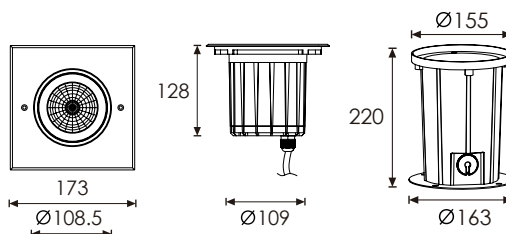


SPECIFICATIONS

COLOUR TEMP	2700K
INPUT VOLTAGE	24V DC
IP RATING	IP67
IK RATING	IK10
WORKING TEMP	-20° to 40°C
GLASS TYPE	Step Tempered Glass T=10mm
WEIGHT CAPACITY	< 4,455kg
CRI	< 80
DIODE / LIFESPAN	Osram COB LED / < 40,000 Hours
BEAM ANGLE	22°
FRONT FACE	316 Stainless Steel
DRIVER	Remote Driven, Sold separately 24V DC
COMPLETE WITH	ABS Plastic Installation Sleeve
APPLICATION	Exterior inground

24V PARALLEL	14.1 WATTS	935 LUMENS
------------------------	----------------------	----------------------

DIMENSIONS



INSTALLATION NOTES

Take pride with installation. All cable joints must be Resin or IP68 type (standard crimps, terminal blocks and PVC tape are not suitable cable joining methods.) Always install over a drained substrate. Incorrect installation will result in water ingress and luminaire failure.

AVAILABLE IN

DESCRIPTION	CODE
316 STS 2700K	EX333 USTSL

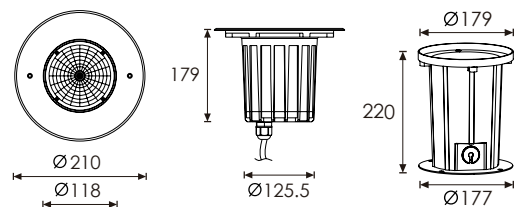


SPECIFICATIONS

COLOUR TEMP	2700K
INPUT VOLTAGE	24V DC
IP RATING	IP67
IK RATING	IK10
WORKING TEMP	-20° to 40°C
GLASS TYPE	Step Tempered Glass T=10mm
WEIGHT CAPACITY	< 2940kg
CRI	< 80
DIODE / LIFESPAN	Osram COB LED / < 40,000 Hours
BEAM ANGLE	22°
FRONT FACE	316 Stainless Steel
DRIVER	Remote Driven, Sold separately 24V DC
COMPLETE WITH	ABS Plastic Installation Sleeve
APPLICATION	Exterior inground

24V PARALLEL	18 WATTS	1225 LUMENS
-------------------------	---------------------	------------------------

DIMENSIONS



INSTALLATION NOTES

Take pride with installation. All cable joints must be Resin or IP68 type (standard crimps, terminal blocks and PVC tape are not suitable cable joining methods.) Always install over a drained substrate. Incorrect installation will result in water ingress and luminaire failure.

AVAILABLE IN

DESCRIPTION	CODE
316 STS 2700K	EX334 USTSL

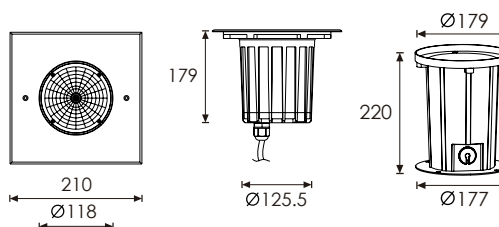


SPECIFICATIONS

COLOUR TEMP	2700K
INPUT VOLTAGE	24V DC
IP RATING	IP67
IK RATING	IK10
WORKING TEMP	-20° to 40°C
GLASS TYPE	Step Tempered Glass T=10mm
WEIGHT CAPACITY	< 2940kg
CRI	< 80
DIODE / LIFESPAN	Osram COB LED / < 40,000 Hours
BEAM ANGLE	22°
FRONT FACE	316 Stainless Steel
DRIVER	Remote Driven, Sold separately 24V DC
COMPLETE WITH	ABS Plastic Installation Sleeve
APPLICATION	Exterior inground

24V PARALLEL	18 WATTS	1225 LUMENS
------------------------	--------------------	-----------------------

DIMENSIONS



INSTALLATION NOTES

Take pride with installation. All cable joints must be Resin or IP68 type (standard crimps, terminal blocks and PVC tape are not suitable cable joining methods.) Always install over a drained substrate. Incorrect installation will result in water ingress and luminaire failure.

AVAILABLE IN

DESCRIPTION	CODE
316 STS 2700K	EX335 USTSL

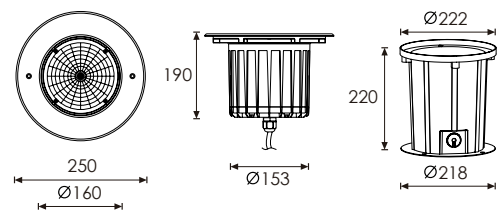


SPECIFICATIONS

COLOUR TEMP	2700K
INPUT VOLTAGE	24V DC
IP RATING	IP67
IK RATING	IK10
WORKING TEMP	-20° to 40°C
GLASS TYPE	Step Tempered Glass T=10mm
WEIGHT CAPACITY	< 5016kg
CRI	< 80
DIODE / LIFESPAN	Osram COB LED / < 40,000 Hours
BEAM ANGLE	25°
FRONT FACE	316 Stainless Steel
DRIVER	Remote Driven, Sold separately 24V DC
COMPLETE WITH	ABS Plastic Installation Sleeve
APPLICATION	Exterior inground

24V PARALLEL	28 WATTS	1899 LUMENS
-------------------------	---------------------	------------------------

DIMENSIONS



AVAILABLE IN

DESCRIPTION	CODE
316 STS 2700K	EX336 USTSL

INSTALLATION NOTES

Take pride with installation. All cable joints must be Resin or IP68 type (standard crimps, terminal blocks and PVC tape are not suitable cable joining methods.) Always install over a drained substrate. Incorrect installation will result in water ingress and luminaire failure.

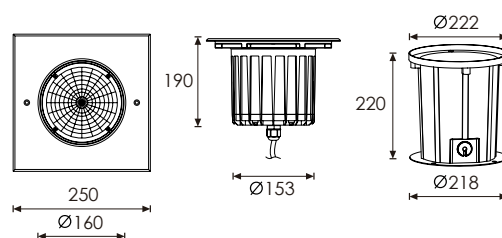


SPECIFICATIONS

COLOUR TEMP	2700K
INPUT VOLTAGE	24V DC
IP RATING	IP67
IK RATING	IK10
WORKING TEMP	-20° to 40°C
GLASS TYPE	Step Tempered Glass T=10mm
WEIGHT CAPACITY	< 5016kg
CRI	< 80
DIODE / LIFESPAN	Osram COB LED / < 40,000 Hours
BEAM ANGLE	25°
FRONT FACE	316 Stainless Steel
DRIVER	Remote Driven, Sold separately 24V DC
COMPLETE WITH	ABS Plastic Installation Sleeve
APPLICATION	Exterior inground

24V PARALLEL	28 WATTS	1899 LUMENS
------------------------	--------------------	-----------------------

DIMENSIONS



AVAILABLE IN

DESCRIPTION	CODE
316 STS 2700K	EX337 USTSL

INSTALLATION NOTES

Take pride with installation. All cable joints must be Resin or IP68 type (standard crimps, terminal blocks and PVC tape are not suitable cable joining methods.) Always install over a drained substrate. Incorrect installation will result in water ingress and luminaire failure.

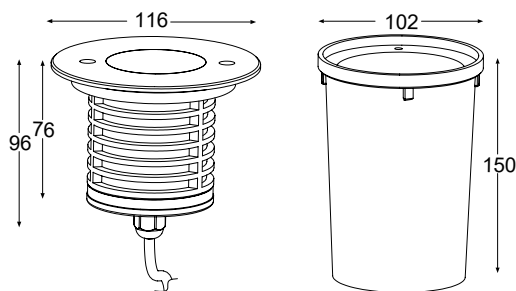


SPECIFICATIONS

COLOUR TEMP	2700K
INPUT VOLTAGE	24V DC
IP RATING	IP67
IK RATING	IK09
WORKING TEMP	-20° to 40°C
GLASS TYPE	Step Tempered Glass T=8mm
WEIGHT CAPACITY	< 2578kg
CRI	< 80
DIODE / LIFESPAN	Osram COB LED / < 40,000 Hours
BEAM ANGLE	45° / 35° See diagram
FRONT FACE	316 Stainless Steel
DRIVER	Remote Driven, Sold separately 24V DC
COMPLETE WITH	ABS Plastic Installation Sleeve
APPLICATION	Exterior inground

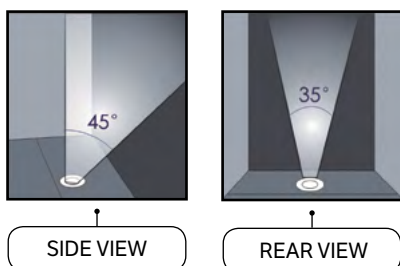
24V PARALLEL	6 WATTS	286 LUMENS
------------------------	-------------------	----------------------

DIMENSIONS



INSTALLATION NOTES

Take pride with installation. All cable joints must be Resin or IP68 type (standard crimps, terminal blocks and PVC tape are not suitable cable joining methods.) Always install over a drained substrate. Incorrect installation will result in water ingress and luminaire failure.



AVAILABLE IN

DESCRIPTION	CODE
316 STS 2700K	EX346 ASTSL

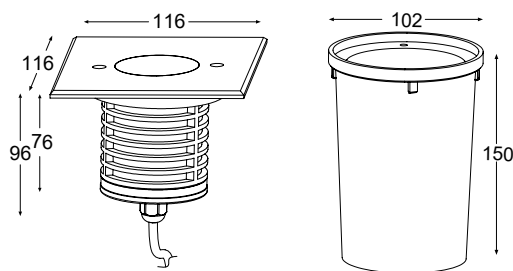


SPECIFICATIONS

COLOUR TEMP	2700K
INPUT VOLTAGE	24V DC
IP RATING	IP67
IK RATING	IK09
WORKING TEMP	-20° to 40°C
GLASS TYPE	Step Tempered Glass T=8mm
WEIGHT CAPACITY	< 2578kg
CRI	< 80
DIODE / LIFESPAN	Osram COB LED / < 40,000 Hours
BEAM ANGLE	45° / 35° See diagram
FRONT FACE	316 Stainless Steel
DRIVER	Remote Driven, Sold separately 24V DC
COMPLETE WITH	ABS Plastic Installation Sleeve
APPLICATION	Exterior inground

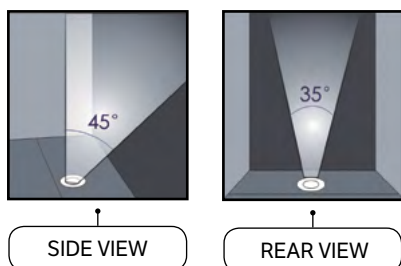
24V PARALLEL	6 WATTS	286 LUMENS
------------------------	-------------------	----------------------

DIMENSIONS



INSTALLATION NOTES

Take pride with installation. All cable joints must be Resin or IP68 type (standard crimps, terminal blocks and PVC tape are not suitable cable joining methods.) Always install over a drained substrate. Incorrect installation will result in water ingress and luminaire failure.



AVAILABLE IN

DESCRIPTION	CODE
316 STS 2700K	EX347 ASTSL

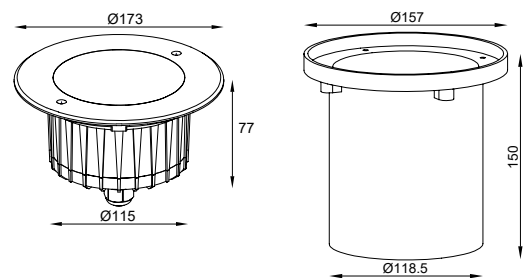


SPECIFICATIONS

COLOUR TEMP	2700K
INPUT VOLTAGE	24V DC
IP RATING	IP67
IK RATING	IK07
WORKING TEMP	-20° to 40°C
GLASS TYPE	Step Tempered Glass T=8mm
WEIGHT CAPACITY	< 2578kg
CRI	< 80
DIODE / LIFESPAN	Osram COB LED / < 40,000 Hours
BEAM ANGLE	45° / 35° See diagram
FRONT FACE	316 Stainless Steel
DRIVER	Remote Driven, Sold separately 24V DC
COMPLETE WITH	ABS Plastic Installation Sleeve
APPLICATION	Exterior inground

24V PARALLEL	13 WATTS	709 LUMENS
------------------------	--------------------	----------------------

DIMENSIONS

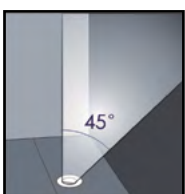


INSTALLATION NOTES

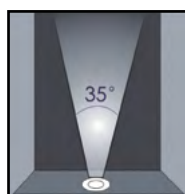
Take pride with installation. All cable joints must be Resin or IP68 type (standard crimps, terminal blocks and PVC tape are not suitable cable joining methods.) Always install over a drained substrate. Incorrect installation will result in water ingress and luminaire failure.

AVAILABLE IN

DESCRIPTION	CODE
316 STS 2700K	EX348 ASTSL



SIDE VIEW



REAR VIEW

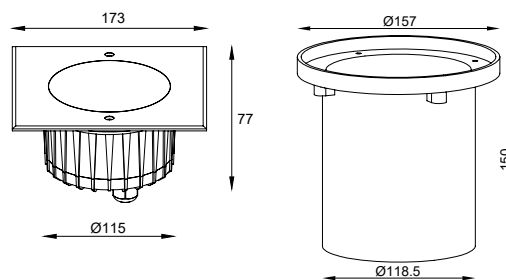


SPECIFICATIONS

COLOUR TEMP	2700K
INPUT VOLTAGE	24V DC
IP RATING	IP67
IK RATING	IK07
WORKING TEMP	-20° to 40°C
GLASS TYPE	Step Tempered Glass T=8mm
WEIGHT CAPACITY	< 2578kg
CRI	< 80
DIODE / LIFESPAN	Osram COB LED / < 40,000 Hours
BEAM ANGLE	45° / 35° See diagram
FRONT FACE	316 Stainless Steel
DRIVER	Remote Driven, Sold separately 24V DC
COMPLETE WITH	ABS Plastic Installation Sleeve
APPLICATION	Exterior inground

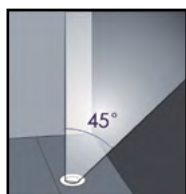
24V PARALLEL	13 WATTS	709 LUMENS
-------------------------	---------------------	-----------------------

DIMENSIONS

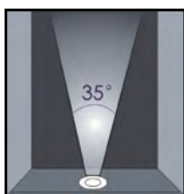


INSTALLATION NOTES

Take pride with installation. All cable joints must be Resin or IP68 type (standard crimps, terminal blocks and PVC tape are not suitable cable joining methods.) Always install over a drained substrate. Incorrect installation will result in water ingress and luminaire failure.



SIDE VIEW



REAR VIEW

AVAILABLE IN

DESCRIPTION	CODE
316 STS 2700K	EX349 ASTSL



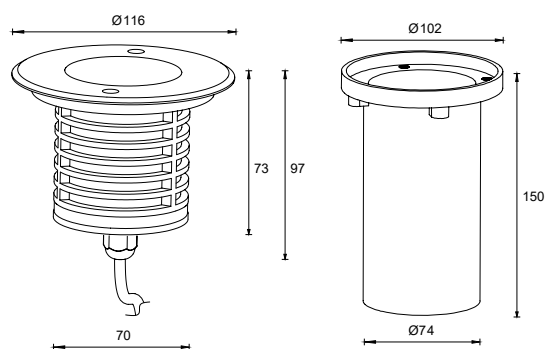
24V RGB+W
Four Colour

SPECIFICATIONS

COLOUR TEMP	RGB + 2700K
INPUT VOLTAGE	24V DC
IP RATING	IP67
IK RATING	IK07
WORKING TEMP	-20° to 40°C
GLASS TYPE	Step Tempered Glass T=8mm
WEIGHT CAPACITY	< 2578kg
CRI	< 80
DIODE / LIFESPAN	Edison LED / < 40,000 Hours
BEAM ANGLE	22°
FRONT FACE	316 Stainless Steel
INTERNAL MATERIAL	Powder-coated Aluminium
DRIVER	Remote Driven, Sold separately 24V DC
COMPLETE WITH	ABS Plastic Installation Sleeve
APPLICATION	Exterior inground effect light

24V PARALLEL	6 WATTS	217 AV. LUMENS
------------------------	-------------------	--------------------------

DIMENSIONS



INSTALLATION NOTES

Take pride with installation. All cable joints must be Resin or IP68 type (standard crimps, terminal blocks and PVC tape are not suitable cable joining methods.) Always install over a drained substrate. Incorrect installation will result in water ingress and luminaire failure.

AVAILABLE IN

DESCRIPTION	CODE
316 STS RGB + 2700K	EX339 RSTSL



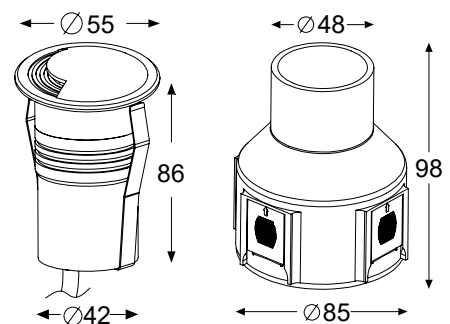
SPECIFICATIONS

COLOUR TEMP	2700K
INPUT VOLTAGE	24V DC
IP RATING	IP67
IK RATING	IK10
WORKING TEMP	-20° to 40°C
WEIGHT CAPACITY	< 2000kg
CRI	< 80
DIODE / LIFESPAN	Osram LED / < 40,000 Hours
BEAM ANGLE	N/A
FRONT FACE	316 Stainless Steel
DRIVER	Remote Driven, Sold separately 24V DC
COMPLETE WITH	ABS Plastic Installation Sleeve
APPLICATION	Exterior inground drive over

24V
PARALLEL

3
WATTS

DIMENSIONS



INSTALLATION NOTES

Take pride with installation. All cable joints must be Resin or IP68 type (standard crimps, terminal blocks and PVC tape are not suitable cable joining methods.) Always install over a drained substrate. Incorrect installation will result in water ingress and luminaire failure.

AVAILABLE IN

DESCRIPTION	CODE
316 STS 2700K	EX343 DSTSL



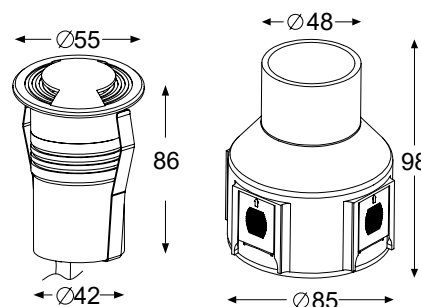
SPECIFICATIONS

COLOUR TEMP	2700K
INPUT VOLTAGE	24V DC
IP RATING	IP67
IK RATING	IK10
WORKING TEMP	-20° to 40°C
WEIGHT CAPACITY	< 2000kg
CRI	< 80
DIODE / LIFESPAN	Osram LED / < 40,000 Hours
BEAM ANGLE	N/A
FRONT FACE	316 Stainless Steel
DRIVER	Remote Driven, Sold separately 24V DC
COMPLETE WITH	ABS Plastic Installation Sleeve
APPLICATION	Exterior inground drive over

24V
PARALLEL

3
WATTS

DIMENSIONS



INSTALLATION NOTES

Take pride with installation. All cable joints must be Resin or IP68 type (standard crimps, terminal blocks and PVC tape are not suitable cable joining methods.) Always install over a drained substrate. Incorrect installation will result in water ingress and luminaire failure.

AVAILABLE IN

DESCRIPTION	CODE
316 STS 2700K	EX344 DSTSL



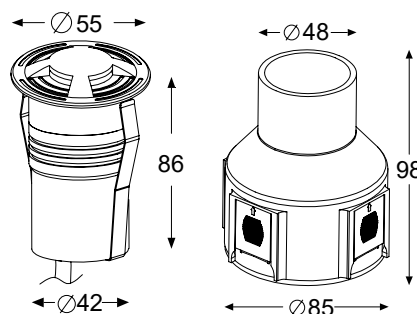
SPECIFICATIONS

COLOUR TEMP	2700K
INPUT VOLTAGE	24V DC
IP RATING	IP67
IK RATING	IK10
WORKING TEMP	-20° to 40°C
WEIGHT CAPACITY	< 2000kg
CRI	< 80
DIODE / LIFESPAN	Osram LED / < 40,000 Hours
BEAM ANGLE	N/A
FRONT FACE	316 Stainless Steel
DRIVER	Remote Driven, Sold separately 24V DC
COMPLETE WITH	ABS Plastic Installation Sleeve
APPLICATION	Exterior inground drive over

24V
PARALLEL

3
WATTS

DIMENSIONS



INSTALLATION NOTES

Take pride with installation. All cable joints must be Resin or IP68 type (standard crimps, terminal blocks and PVC tape are not suitable cable joining methods.) Always install over a drained substrate. Incorrect installation will result in water ingress and luminaire failure.

AVAILABLE IN

DESCRIPTION	CODE
316 STS 2700K	EX345 DSTSL



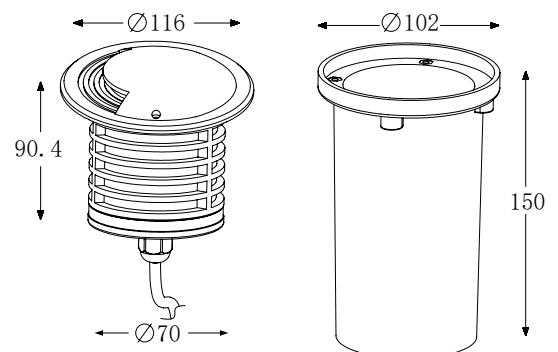
SPECIFICATIONS

COLOUR TEMP	2700K
INPUT VOLTAGE	24V DC
IP RATING	IP67
IK RATING	IK10
WORKING TEMP	-20° to 40°C
WEIGHT CAPACITY	< 2000kg
CRI	< 80
DIODE / LIFESPAN	Osram LED / < 40,000 Hours
BEAM ANGLE	N/A
FRONT FACE	316 Stainless Steel
DRIVER	Remote Driven, Sold separately 24V DC
COMPLETE WITH	ABS Plastic Installation Sleeve
APPLICATION	Exterior inground drive over

24V
PARALLEL

3
WATTS

DIMENSIONS



AVAILABLE IN

DESCRIPTION	CODE
316 STS 2700K	EX340 DSTSL

INSTALLATION NOTES

Take pride with installation. All cable joints must be Resin or IP68 type (standard crimps, terminal blocks and PVC tape are not suitable cable joining methods.) Always install over a drained substrate. Incorrect installation will result in water ingress and luminaire failure.



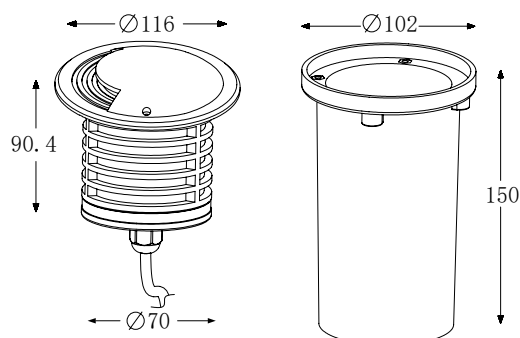
SPECIFICATIONS

COLOUR TEMP	2700K
INPUT VOLTAGE	24V DC
IP RATING	IP67
IK RATING	IK10
WORKING TEMP	-20° to 40°C
WEIGHT CAPACITY	< 2000kg
CRI	< 80
DIODE / LIFESPAN	Osram LED / < 40,000 Hours
BEAM ANGLE	N/A
FRONT FACE	316 Stainless Steel
DRIVER	Remote Driven, Sold separately 24V DC
COMPLETE WITH	ABS Plastic Installation Sleeve
APPLICATION	Exterior inground drive over

24V
PARALLEL

3
WATTS

DIMENSIONS



AVAILABLE IN

DESCRIPTION	CODE
316 STS 2700K	EX341 DSTSL

INSTALLATION NOTES

Take pride with installation. All cable joints must be Resin or IP68 type (standard crimps, terminal blocks and PVC tape are not suitable cable joining methods.) Always install over a drained substrate. Incorrect installation will result in water ingress and luminaire failure.



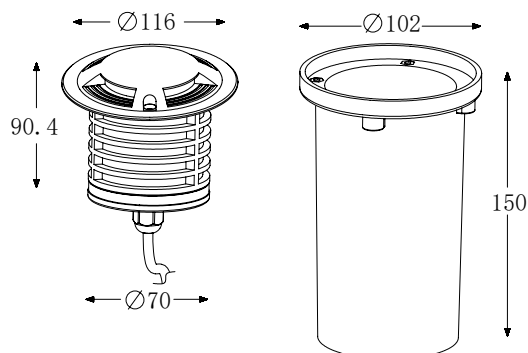
SPECIFICATIONS

COLOUR TEMP	2700K
INPUT VOLTAGE	24V DC
IP RATING	IP67
IK RATING	IK10
WORKING TEMP	-20° to 40°C
WEIGHT CAPACITY	< 2000kg
CRI	< 80
DIODE / LIFESPAN	Osram LED / < 40,000 Hours
BEAM ANGLE	N/A
FRONT FACE	316 Stainless Steel
DRIVER	Remote Driven, Sold separately 24V DC
COMPLETE WITH	ABS Plastic Installation Sleeve
APPLICATION	Exterior inground drive over

24V
PARALLEL

3
WATTS

DIMENSIONS



INSTALLATION NOTES

Take pride with installation. All cable joints must be Resin or IP68 type (standard crimps, terminal blocks and PVC tape are not suitable cable joining methods.) Always install over a drained substrate. Incorrect installation will result in water ingress and luminaire failure.

AVAILABLE IN

DESCRIPTION	CODE
316 STS 2700K	EX342 DSTSL



Recessed

pg 283 - 293

Surface Mount

pg 294-318



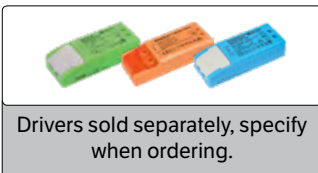


RW705 STS

1.2
WATTS

85
LUMENS

350mA
SERIES CC



SPECIFICATIONS

DIMENSIONS	D47 x H65mm
COLOUR TEMP	3000K Warm White
CUT OUT	36mm
IP RATING	IP67
CRI	< 80
DIODE / LIFESPAN	Sharp LED / < 35,000 Hours
BEAM ANGLE	35°
MATERIAL	316 Stainless Steel
DRIVER	Sold separately (Constant Current 350mA)
APPLICATION	Exterior wall

AVAILABLE IN

DESCRIPTION	CODE
316 Stainless Steel 3000K	RW705 STS

316 STAINLESS HOUSING VERSION CONCRETE INSTALLATION

SPECIFICATIONS

DIMENSIONS	D47 x H90mm
CUT OUT	40mm
APPLICATION	Concrete Exterior

[All other specifications identical to RW705]

AVAILABLE IN

DESCRIPTION	CODE
316 Stainless Steel 3000K (Complete with 316 STS Housing)	R705 STS



EXTERIOR RECESSED SQUARE MULTI PURPOSE MINI EYELID 350mA

RW759



RW759 STS

**1.2
WATTS**

**85
LUMENS**

**350mA
SERIES CC**



Drivers sold separately, specify when ordering.



SPECIFICATIONS

DIMENSIONS	L47 x W47 x H65mm
COLOUR TEMP	3000K Warm White
CUT OUT	36mm
IP RATING	IP67
CRI	< 80
DIODE / LIFESPAN	Sharp LED / < 35,000 Hours
BEAM ANGLE	35°
MATERIAL	316 Stainless Steel
DRIVER	Sold separately (Constant Current 350mA)
APPLICATION	Exterior wall

AVAILABLE IN

DESCRIPTION	CODE
316 Stainless Steel 3000K	RW759 STS

316 STAINLESS HOUSING VERSION CONCRETE INSTALLATION

SPECIFICATIONS

DIMENSIONS	L47 x W47 x H90mm
CUT OUT	40mm
APPLICATION	Concrete Exterior

[All other specifications identical to RW759]

AVAILABLE IN

DESCRIPTION	CODE
316 Stainless Steel 3000K (Complete with 316 STS Housing)	R759 STS



R759 STS

12



SPECIFICATIONS

DIMENSIONS	L96 x W96 x D110mm (6.5 Lip)
CUT OUT	83 x 83mm
COLOUR TEMP	3000K Warm White
IP RATING	IP65
CRI	< 80
DIODE / LIFESPAN	Osram LED / < 40,000 Hours
BEAM ANGLE	90°
MATERIAL	Aluminium
DRIVER	Sold Separately
APPLICATION	Exterior wall recess / stair tread

AVAILABLE IN

DESCRIPTION	CODE
Black 3000K	EX183 BL
Silver 3000K	EX183 SL

3 WATTS	60 LUMENS	700_{mA} SERIES CC
--------------------	----------------------	---------------------------------------

Drivers sold separately, specify when ordering.

OPTIONAL ACCESSORIES

DESCRIPTION	CODE
Concrete installation housing L86 X W86 X D103MM	EX183 PHO



SPECIFICATIONS

DIMENSIONS	L96 x W96 x D110mm
CUT OUT	83 x 83mm
COLOUR TEMP	3000K Warm White
IP RATING	IP65
CRI	< 80
DIODE / LIFESPAN	Osram LED / < 40,000 Hours
BEAM ANGLE	90°
MATERIAL	Aluminium
DRIVER	Sold Separately
APPLICATION	Exterior wall recess / stair tread

AVAILABLE IN

DESCRIPTION	CODE
Black 3000K	EX184 BL
Silver 3000K	EX184 SL

3
WATTS

60
LUMENS

700_{mA}
SERIES CC



Drivers sold separately, specify when ordering.

OPTIONAL ACCESSORIES

DESCRIPTION	CODE
Concrete installation housing L86 X W86 X D103MM	EX183 PHO



SPECIFICATIONS

DIMENSIONS	<i>D80 x H36mm</i>
CUT OUT	<i>78mm</i>
COLOUR TEMP	<i>2700K Super Warm White</i>
IP RATING	<i>IP67</i>
CRI	<i>< 80</i>
DIODE / LIFESPAN	<i>Cree LED / < 30,000 Hours</i>
BEAM ANGLE	<i>40°</i>
MATERIAL	<i>316 Stainless Steel</i>
COMPLETE WITH	<i>Removable Plastic Housing for Concrete applications (pictured)</i>
DRIVER	<i>Sold Separately (24V Constant Voltage)</i>
APPLICATION	<i>Exterior wall recess / stair tread</i>

3 WATTS	60 LUMENS	CV PARALLEL 24V
--------------------	----------------------	--------------------------------



Drivers sold separately, specify when ordering.

AVAILABLE IN

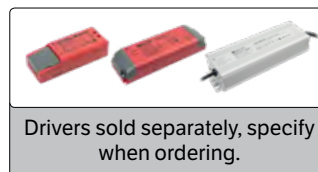
DESCRIPTION	CODE
316 Stainless Steel 2700K	EX910 SSL



SPECIFICATIONS

DIMENSIONS	L80 x W80 x H36mm
CUT OUT	78mm
COLOUR TEMP	2700K Super Warm White
IP RATING	IP67
CRI	< 80
DIODE / LIFESPAN	Cree LED / < 30,000 Hours
BEAM ANGLE	40°
MATERIAL	316 Stainless Steel
COMPLETE WITH	Removable Plastic Housing for Concrete applications (pictured)
DRIVER	Sold Separately (24V Constant Voltage)
APPLICATION	Exterior wall recess / stair tread

3 WATTS	60 LUMENS	CV PARALLEL 24V
--------------------	----------------------	--------------------------------



AVAILABLE IN

DESCRIPTION	CODE
316 Stainless Steel 2700K	EX911 SSL

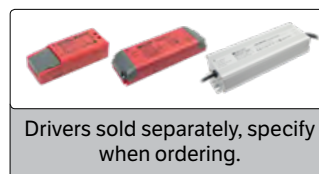


12

SPECIFICATIONS

DIMENSIONS	L220 x H85 x D79mm
CUT OUT	187 x 67mm
COLOUR TEMP	3000K Warm White
IP RATING	IP65
CRI	< 80
DIODE / LIFESPAN	Osram LED / < 40,000 Hours
BEAM ANGLE	85°
MATERIAL	Aluminium
DRIVER	Sold Separately (24V Constant Voltage)
APPLICATION	Exterior wall recess / stair tread

3 WATTS	180 LUMENS	CV PARALLEL 24V
--------------------	-----------------------	--------------------------------



OPTIONAL ACCESSORIES

DESCRIPTION	CODE
STS Concrete installation housing L205 X W85 X D70MM	EX174 SSHO

AVAILABLE IN

DESCRIPTION	CODE
Black 3000K	EX175 BL
Silver 3000K	EX175 SL



EXTERIOR WALL LIGHT HORIZONTAL MOUNT
RECESSED RECTANGLE EYELID

EX176



12

SPECIFICATIONS

DIMENSIONS	L220 x H85 x D79mm
CUT OUT	187 x 67mm
COLOUR TEMP	3000K Warm White
IP RATING	IP65
CRI	< 80
DIODE / LIFESPAN	Osram LED / < 40,000 Hours
BEAM ANGLE	60°
MATERIAL	Aluminium
DRIVER	Sold Separately (24V Constant Voltage)
APPLICATION	Exterior wall recess / stair tread

3 WATTS	180 LUMENS	CV PARALLEL 24V
----------------	-------------------	------------------------



Drivers sold separately, specify when ordering.

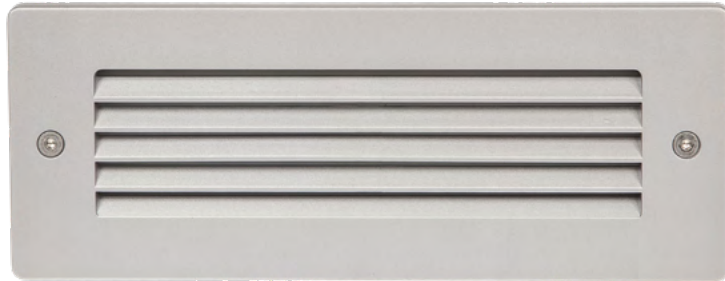
OPTIONAL ACCESSORIES

DESCRIPTION	CODE
STS Concrete installation housing L205 X W85 X D70MM	EX174 SSHO

AVAILABLE IN

DESCRIPTION	CODE
Black 3000K	EX176 BL
Silver 3000K	EX176 SL





12

SPECIFICATIONS

DIMENSIONS	L220 x H85 x D79mm
CUT OUT	187 x 67mm
COLOUR TEMP	3000K Warm White
IP RATING	IP65
CRI	< 80
DIODE / LIFESPAN	Osram LED / < 40,000 Hours
BEAM ANGLE	85°
MATERIAL	Aluminium
DRIVER	Sold Separately (24V Constant Voltage)
APPLICATION	Exterior wall recess / stair tread

AVAILABLE IN

DESCRIPTION	CODE
Black 3000K	EX177 BL
Silver 3000K	EX177 SL

3 WATTS	180 LUMENS	CV PARALLEL 24V
--------------------	-----------------------	--------------------------------

Drivers sold separately, specify when ordering.

OPTIONAL ACCESSORIES

DESCRIPTION	CODE
STS Concrete installation housing L205 X W85 X D70MM	EX174 SSHO

EX174 SSHO



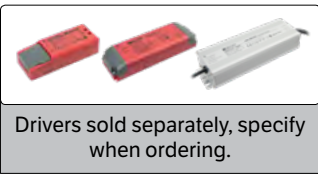
SPECIFICATIONS

DIMENSIONS	L220 x H85 x D79mm
CUT OUT	187 x 67mm
COLOUR TEMP	3000K Warm White
IP RATING	IP65
CRI	< 80
DIODE / LIFESPAN	Osram LED / < 40,000 Hours
BEAM ANGLE	60°
MATERIAL	Aluminium
DRIVER	Sold Separately (24V Constant Voltage)
APPLICATION	Exterior wall recess / stair tread

AVAILABLE IN

DESCRIPTION	CODE
Black 3000K	EX177 BL
Silver 3000K	EX177 SL

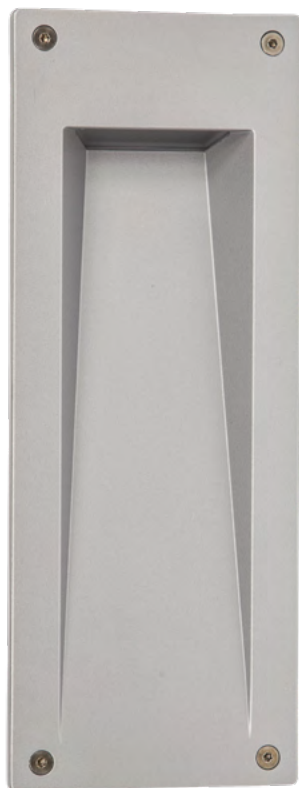
3 WATTS **180 LUMENS** **CV PARALLEL 24V**



OPTIONAL ACCESSORIES

DESCRIPTION	CODE
STS Concrete installation housing L205 X W85 X D70MM	EX174 SSHO

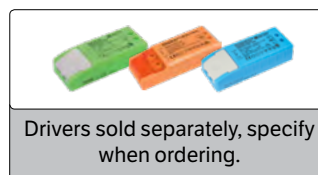




SPECIFICATIONS

DIMENSIONS	L257 x H97 x D98mm
CUT OUT	240 x 83mm
COLOUR TEMP	3000K Warm White
IP RATING	IP65
CRI	< 80
DIODE / LIFESPAN	Osram LED / < 40,000 Hours
BEAM ANGLE	100°
MATERIAL	Aluminium
DRIVER	Sold Separately (Constant Current 700mA)
APPLICATION	Exterior wall recess / stair tread

3 WATTS **157 LUMENS** **700_{mA} SERIES CC**



AVAILABLE IN

DESCRIPTION	CODE
Black 3000K	EX179 BL
Silver 3000K	EX179 SL

OPTIONAL ACCESSORIES

DESCRIPTION	CODE
Concrete installation housing L245 X W100 X D90MM	EX179 PHO





SPECIFICATIONS

DIMENSIONS	D83 x H22mm
CUT OUT	N/A - Surface Mount
COLOUR TEMP	3000K Super Warm White
IP RATING	IP65
CRI	< 80
DIODE / LIFESPAN	Lextar LED / < 40,000 Hours
MATERIAL	316 Stainless Steel or Copper
DRIVER	Sold Separately (12 or 24V Constant Voltage)
APPLICATION	Exterior Surface Mount

100 LUMENS **3 WATTS** **12/24V PARALLEL**



Drivers sold separately, specify when ordering.

AVAILABLE IN

DESCRIPTION	CODE
Copper 2700K	EX190 SMCOL
316 STS Polished 2700K	EX190 SMSSPL
316 STS 2700K	EX190 SMSSL
316 STS White 2700K	EX190 SMWL
316 STS Black 2700K	EX190 SMBL

INSTALLATION NOTES

1/ Max run 8x EX190 on 24V, 4x EX190 on 12V.
2/ When run on 12V light output and diode lifespan is decreased by 35%



SPECIFICATIONS

DIMENSIONS	<i>D190 x H50mm</i>
CUT OUT	<i>N/A - Surface Mount</i>
COLOUR TEMP	<i>2700K Super Warm White</i>
IP RATING	<i>IP65</i>
CRI	<i>< 80</i>
DIODE / LIFESPAN	<i>Lextar LED / < 40,000 Hours</i>
BEAM ANGLE	<i>90°</i>
MATERIAL	<i>Aluminium</i>
DRIVER	<i>Incorporated, connect to mains</i>
APPLICATION	<i>Exterior Surface Mount</i>

800 LUMENS	9.6 WATTS	AC 240V
----------------------	---------------------	-------------------

AVAILABLE IN

DESCRIPTION	CODE
Black 2700K	EX915 SMBL
Silver 3000K	EX915 SMSL



12

SPECIFICATIONS

DIMENSIONS	L170 x W170 x H42mm
CUT OUT	N/A - Surface Mount
COLOUR TEMP	2700K Super Warm White
IP RATING	IP65
CRI	< 80
DIODE / LIFESPAN	Lextar LED / < 40,000 Hours
BEAM ANGLE	90°
MATERIAL	Aluminium
DRIVER	Incorporated, connect to mains
APPLICATION	Exterior Surface Mount

800 LUMENS	9.6 WATTS	AC 240V
----------------------	---------------------	-------------------

AVAILABLE IN

DESCRIPTION	CODE
Black 2700K	EX916 SMBL
Silver 3000K	EX916 SMSL



12

SPECIFICATIONS

DIMENSIONS	L245 x D69 x H139mm
CUT OUT	N/A - Surface Mount
COLOUR TEMP	3000K Warm White
IP RATING	IP65
CRI	< 80
DIODE / LIFESPAN	SMD LED / < 50,000 Hours
BEAM ANGLE	Wide beam
MATERIAL	Corrosion Proof Poly Carbonate
DRIVER	AC LED Driverless technology (240V)
APPLICATION	Exterior Surface Mount

510 LUMENS	8.5 WATTS	AC 240V
----------------------	---------------------	-------------------

AVAILABLE IN

DESCRIPTION	CODE
Black 3000K	EX240 1BB
Charcoal 3000K	EX240 1BC
Silver Grey 3000K	EX240 1BS
White 3000K	EX240 1BW



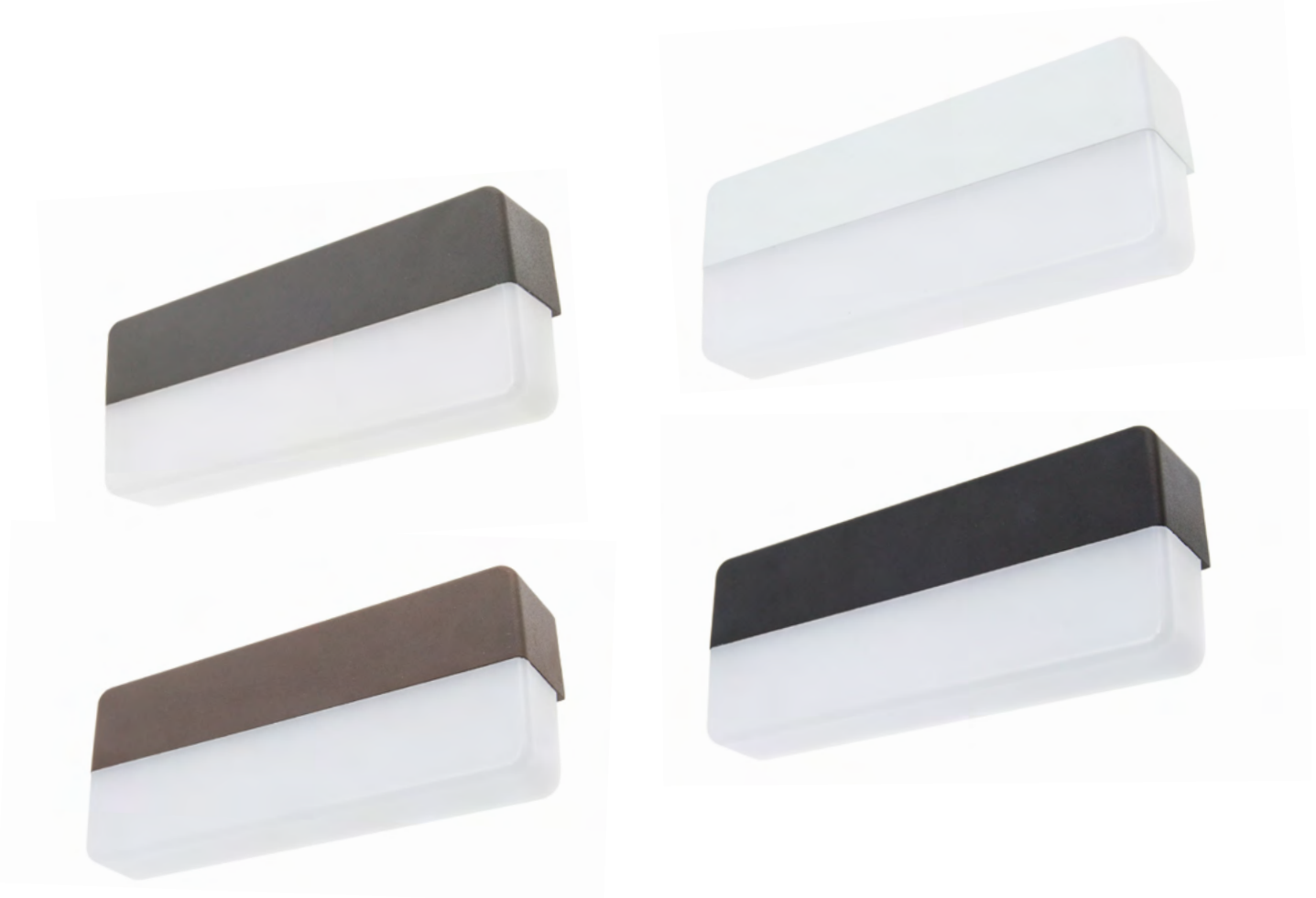
SPECIFICATIONS

DIMENSIONS	L310 x D69 x H175mm
CUT OUT	N/A - Surface Mount
COLOUR TEMP	3000K Warm White
IP RATING	IP65
CRI	< 80
DIODE / LIFESPAN	SMD LED / < 50,000 Hours
BEAM ANGLE	Wide beam
MATERIAL	Corrosion Proof Poly Carbonate
DRIVER	AC LED Driverless technology (240V)
APPLICATION	Exterior Surface Mount

1080 LUMENS	18 WATTS	AC 240V
-----------------------	--------------------	-------------------

AVAILABLE IN

DESCRIPTION	CODE
Black 3000K	EX241 1BB
Charcoal 3000K	EX241 1BC
Silver Grey 3000K	EX241 1BS
White 3000K	EX241 1BW



SPECIFICATIONS

DIMENSIONS	L262 x D53 x H110mm
CUT OUT	N/A - Surface Mount
COLOUR TEMP	3000K Warm White
IP RATING	IP65
CRI	< 80
DIODE / LIFESPAN	SMD LED / < 50,000 Hours
BEAM ANGLE	Wide beam
MATERIAL	Aluminium & Polycarbonate
DRIVER	AC LED Driverless technology (240V)
APPLICATION	Exterior Surface Mount

1000 LUMENS	12 WATTS	AC 240V
-----------------------	--------------------	-------------------

AVAILABLE IN

DESCRIPTION	CODE
Charcoal 3000K	EX255 1BC
White 3000K	EX255 1BW
Brown 3000K	EX255 1BBR
Black 3000K	EX255 1BB



SPECIFICATIONS

DIMENSIONS	L262 x D53 x H110mm
CUT OUT	N/A - Surface Mount
COLOUR TEMP	3000K Warm White
IP RATING	IP65
CRI	< 80
DIODE / LIFESPAN	SMD LED / < 50,000 Hours
BEAM ANGLE	Wide beam
MATERIAL	Aluminium & Polycarbonate
DRIVER	AC LED Driverless technology (240V)
APPLICATION	Exterior Surface Mount

1000 LUMENS	12 WATTS	AC 240V
-----------------------	--------------------	-------------------

AVAILABLE IN

DESCRIPTION	CODE
Charcoal 3000K	EX256 1BC
White 3000K	EX256 1BW
Brown 3000K	EX256 1BBR
Black 3000K	EX256 1BB



SPECIFICATIONS

DIMENSIONS	L220 x D77 x H90mm
CUT OUT	N/A - Surface Mount
COLOUR TEMP	3000K Warm White
IP RATING	IP65
CRI	< 80
DIODE / LIFESPAN	SMD LED / < 50,000 Hours
BEAM ANGLE	Wide beam
MATERIAL	Aluminium & Polycarbonate
DRIVER	AC LED Driverless technology (240V)
APPLICATION	Exterior Surface Mount

500 LUMENS	6 WATTS	AC 240V
-----------------------	--------------------	--------------------

AVAILABLE IN

DESCRIPTION	CODE
Charcoal 3000K	EX253 1BC
White 3000K	EX253 1BW
Brown 3000K	EX253 1BBR
Black 3000K	EX253 1BB



Hidden Rear Facing LED Diodes produce flawless low glare light.



SPECIFICATIONS

DIMENSIONS	L300 x D77 x H120mm
CUT OUT	N/A - Surface Mount
COLOUR TEMP	3000K Warm White
IP RATING	IP65
CRI	< 80
DIODE / LIFESPAN	SMD LED / < 50,000 Hours
BEAM ANGLE	Wide beam
MATERIAL	Aluminium & Polycarbonate
DRIVER	AC LED Driverless technology (240V)
APPLICATION	Exterior Surface Mount

800 LUMENS	12 WATTS	AC 240V
----------------------	--------------------	-------------------

AVAILABLE IN

DESCRIPTION	CODE
Charcoal 3000K	EX254 1BC
White 3000K	EX254 1BW
Brown 3000K	EX254 1BBR
Black 3000K	EX254 1BB



Hidden Rear Facing LED Diodes produce flawless low glare light.



SPECIFICATIONS

DIMENSIONS	L182 x D65 x H100mm
CUT OUT	N/A - Surface Mount
COLOUR TEMP	3000K Warm White
IP RATING	IP65
CRI	< 80
DIODE / LIFESPAN	Osram LED / < 40,000 Hours
BEAM ANGLE	Wide beam
MATERIAL	Aluminium
DRIVER	Incorporated, dimmable
APPLICATION	Exterior Surface Mount

800 LUMENS	10 WATTS	AC 240V
-----------------------	---------------------	--------------------



Standard Dimmable
Driver Incorporated

Hidden Rear Facing LED Diodes produce flawless low glare light.

AVAILABLE IN

DESCRIPTION	CODE
White 3000K	EX917 1BWL
Grey 3000K	EX917 1BGL
Black 3000K	EX917 1BBL

Wall Cube Two Way "Up Down" Adjustable Beam 2 x 3W

FULL PRODUCT RANGE NOW AVAILABLE, SEE PAGE 482-487

EX909

12

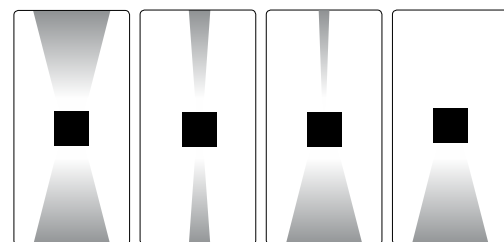


SPECIFICATIONS

DIMENSIONS	L100 x W100 x D90mm
CUT OUT	N/A Surface Mount
COLOUR TEMP	3000K Warm White
CRI	80
IP RATING	IP65
DIODE / LIFESPAN	Lumileds LED / 40,000 Hours
WARRANTY	5 Year Warranty
BEAM ANGLE	Adjustable 0 - 120°
MATERIAL	Aluminium
DRIVER	Incorporated, dimmable
APPLICATION	Interior & Exterior wall

AVAILABLE IN

DESCRIPTION	CODE
Matte Textured Black 3000K	EX909 B3
Matte Textured Charcoal 3000K	EX909 C3
Matte Textured White 3000K	EX909 W3



Independently Adjustable Beam Angle



Dimmable Driver Incorporated

Alternative colours and CCT available on indent order, MOQ's apply.





SPECIFICATIONS

Pictured with Glass Cover Accessory

DIMENSIONS	L150 x W102 x H102
CUT OUT	N/A
COLOUR TEMP	3000K Warm White
CRI	< 80
IP RATING	IP65
DIODE / LIFESPAN	Osram LED / < 40,000 Hours
BEAM ANGLE	40°
MATERIAL	Aluminium
DRIVER	Incorporated, non dimmable
APPLICATION	Exterior wall

AVAILABLE IN

DESCRIPTION	CODE
White 3000K	EX905 1BWL
Silver 3000K	EX905 1BSL
Brown 3000K	EX905 1BBRL
Black 3000K	EX905 1BLL

AC 240V	9 WATTS	639 LUMENS
-------------------	-------------------	----------------------



Standard Non Dimmable Driver Incorporated

ACCESSORIES

DESCRIPTION	CODE
Blank Cover, Silver	EX905 CO
Blank Cover, Black	EX905 COBL
Blank Cover, Brown	EX905 COBR
Blank Cover, White	EX905 COW
Glass Cover, Silver	EX905 GL
Glass Cover, Black	EX905 GLBL
Glass Cover, Brown	EX905 GLBR
Glass Cover, White	EX905 GLWH



SPECIFICATIONS

DIMENSIONS	<i>L136 x W47 x D89mm</i>
COLOUR TEMP	<i>2700K Super Warm White</i>
IP RATING	<i>IP65</i>
CRI	<i>< 80</i>
DIODE / LIFESPAN	<i>Cree LED / < 30,000 Hours</i>
BEAM ANGLE	<i>45°</i>
MATERIAL	<i>316 Stainless Steel or Copper</i>
DRIVER	<i>Incorporated (Dimmable)</i>
APPLICATION	<i>Exterior Wall / Column Spot</i>

800 LUMENS	9 WATTS	AC 240V
----------------------	-------------------	-------------------

AVAILABLE IN

DESCRIPTION	CODE
316 STS 2700K	EX111 1BSS
Copper 2700K	EX111 1BCO
Black Titanium 2700K	EX111 1BB

All Halcyon Exterior products go through extensive waterproof testing and quality control prior to sale. Due to the nature of the tests all Copper and 316 STS luminaires will have slight "water staining" from water immersion. Please note that once installed Copper and 316 STS develops a natural patina finish which negates any effects from the aforementioned testing process.



12

SPECIFICATIONS

DIMENSIONS	L187 x W47 x D89mm
COLOUR TEMP	2700K Super Warm White
IP RATING	IP65
CRI	< 80
DIODE / LIFESPAN	Cree LED / < 30,000 Hours
BEAM ANGLE	45°
MATERIAL	316 Stainless Steel or Copper
DRIVER	Incorporated (Dimmable)
APPLICATION	Exterior Wall / Column Spot

900 LUMENS	2x5 WATTS	AC 240V
-----------------------	----------------------	--------------------

AVAILABLE IN

DESCRIPTION	CODE
316 STS 2700K	EX112 2BSS
Copper 2700K	EX112 2BCO
Black Titanium 2700K	EX112 2BB

All Halcyon Exterior products go through extensive waterproof testing and quality control prior to sale. Due to the nature of the tests all Copper and 316 STS luminaires will have slight "water staining" from water immersion. Please note that once installed Copper and 316 STS develops a natural patina finish which negates any effects from the aforementioned testing process.



SPECIFICATIONS

DIMENSIONS	<i>D60 x L150 x H95mm</i>
COLOUR TEMP	<i>3000K Warm White</i>
IP RATING	<i>IP65</i>
CRI	<i>< 82</i>
DIODE / LIFESPAN	<i>Osram LED / < 40,000 Hours</i>
BEAM ANGLE	<i>30°</i>
MATERIAL	<i>Aluminium</i>
DRIVER	<i>Incorporated in base (Constant Current / Non Dimmable)</i>
APPLICATION	<i>Exterior Column / Wall</i>

245 LUMENS	3.6 WATTS	AC 240V
----------------------	---------------------	-------------------

AVAILABLE IN

DESCRIPTION	CODE
Silver 3000K	EX790 1BSL
Black 3000K	EX790 1BBL



SPECIFICATIONS

DIMENSIONS	<i>W60 x H150 x D95mm</i>
COLOUR TEMP	<i>3000K Warm White</i>
IP RATING	<i>IP65</i>
CRI	<i>< 82</i>
DIODE / LIFESPAN	<i>Osram LED / < 40,000 Hours</i>
BEAM ANGLE	<i>30°</i>
MATERIAL	<i>Aluminium</i>
DRIVER	<i>Incorporated in base (Constant Current / Non Dimmable)</i>
APPLICATION	<i>Exterior Column / Wall</i>

245 LUMENS	3.6 WATTS	AC 240V
----------------------	---------------------	-------------------

AVAILABLE IN

DESCRIPTION	CODE
Silver 3000K	EX795 1BSL
Black 3000K	EX795 1BBL



SPECIFICATIONS

DIMENSIONS	<i>D60 x L250 x H95mm</i>
COLOUR TEMP	<i>3000K Warm White</i>
IP RATING	<i>IP65</i>
CRI	<i>< 82</i>
DIODE / LIFESPAN	<i>Osram LED / < 40,000 Hours</i>
BEAM ANGLE	<i>30°</i>
MATERIAL	<i>Aluminium</i>
DRIVER	<i>Incorporated in base (Constant Current / Non Dimmable)</i>
APPLICATION	<i>Exterior Column / Wall</i>

2x245 LUMENS	2x3.6 WATTS	AC 240V
------------------------	-----------------------	-------------------

AVAILABLE IN

DESCRIPTION	CODE
Silver 3000K	EX791 2BSL
Black 3000K	EX791 2BBL



SPECIFICATIONS

DIMENSIONS	W60 x H250 x D95mm
COLOUR TEMP	3000K Warm White
IP RATING	IP65
CRI	< 82
DIODE / LIFESPAN	Osram LED / < 40,000 Hours
BEAM ANGLE	30°
MATERIAL	Aluminium
DRIVER	Incorporated in base (Constant Current / Non Dimmable)
APPLICATION	Exterior Column / Wall

2×245 LUMENS	2×3.6 WATTS	AC 240V
------------------------	-----------------------	-------------------

AVAILABLE IN

DESCRIPTION	CODE
Silver 3000K	EX796 2BSL
Black 3000K	EX796 2BBL



SPECIFICATIONS

DIMENSIONS	W130 x L250 x D95mm
COLOUR TEMP	3000K Warm White
IP RATING	IP65
CRI	< 82
DIODE / LIFESPAN	Osram LED / < 40,000 Hours
BEAM ANGLE	30°
MATERIAL	Aluminium
DRIVER	Incorporated in base (Constant Current / Non Dimmable)
APPLICATION	Exterior Column / Wall

4 × 245 LUMENS	4 × 3.6 WATTS	AC 240V
--------------------------	-------------------------	-------------------

AVAILABLE IN

DESCRIPTION	CODE
Silver 3000K	EX792 4BSL
Black 3000K	EX792 4BBL

NOTES

End of range product, available while stocks last. Please check stock levels prior to ordering.



12

SPECIFICATIONS

DIMENSIONS	W130 x H250 x D95mm
COLOUR TEMP	3000K Warm White
IP RATING	IP65
CRI	< 82
DIODE / LIFESPAN	Osram LED / < 40,000 Hours
BEAM ANGLE	30°
MATERIAL	Aluminium
DRIVER	Incorporated in base (Constant Current / Non Dimmable)
APPLICATION	Exterior Column / Wall

4x245 LUMENS	4x3.6 WATTS	AC 240V
------------------------	-----------------------	-------------------

AVAILABLE IN

DESCRIPTION	CODE
Silver 3000K	EX797 4BSL
Black 3000K	EX797 4BBL

NOTES

End of range product, available while stocks last. Please check stock levels prior to ordering.

12



SPECIFICATIONS

DIMENSIONS	<i>D150 x L160 x H110mm</i>
COLOUR TEMP	<i>3000K Warm White</i>
IP RATING	<i>IP65</i>
CRI	<i>< 82</i>
DIODE / LIFESPAN	<i>Osram LED / < 40,000 Hours</i>
BEAM ANGLE	<i>30°</i>
MATERIAL	<i>Aluminium</i>
DRIVER	<i>Incorporated in base (Constant Current / Non Dimmable)</i>
APPLICATION	<i>Exterior Column / Wall</i>

767 LUMENS	14 WATTS	AC 240V
----------------------	--------------------	-------------------

AVAILABLE IN

DESCRIPTION	CODE
Silver 3000K	EX793 1BSL
Black 3000K	EX793 1BBL

NOTES

End of range product, available while stocks last. Please check stock levels prior to ordering.



SPECIFICATIONS

DIMENSIONS	W100 x H160 x D140mm
COLOUR TEMP	3000K Warm White
IP RATING	IP65
CRI	< 82
DIODE / LIFESPAN	Osram LED / < 40,000 Hours
BEAM ANGLE	30°
MATERIAL	Aluminium
DRIVER	Incorporated in base (Constant Current / Non Dimmable)
APPLICATION	Exterior Column / Wall

767 LUMENS	14 WATTS	AC 240V
----------------------	--------------------	-------------------

AVAILABLE IN

DESCRIPTION	CODE
Silver 3000K	EX798 1BSL
Black 3000K	EX798 1BBL

NOTES

End of range product, available while stocks last. Please check stock levels prior to ordering.



SPECIFICATIONS

DIMENSIONS	D110 x L300 x H150mm
COLOUR TEMP	3000K Warm White
IP RATING	IP65
CRI	< 82
DIODE / LIFESPAN	Osram LED / < 40,000 Hours
BEAM ANGLE	30°
MATERIAL	Aluminium
DRIVER	Incorporated in base (Constant Current / Non Dimmable)
APPLICATION	Exterior Column / Wall

2×767 LUMENS	2×14 WATTS	AC 240V
------------------------	----------------------	-------------------

AVAILABLE IN

DESCRIPTION	CODE
Silver 3000K	EX794 2BSL
Black 3000K	EX794 2BBL

NOTES

End of range product, available while stocks last. Please check stock levels prior to ordering.



SPECIFICATIONS

DIMENSIONS	W100 x L300 x H140mm
COLOUR TEMP	3000K Warm White
IP RATING	IP65
CRI	< 82
DIODE / LIFESPAN	Osram LED / < 40,000 Hours
BEAM ANGLE	30°
MATERIAL	Aluminium
DRIVER	Incorporated in base (Constant Current / Non Dimmable)
APPLICATION	Exterior Column / Wall

2×767 LUMENS	2×14 WATTS	AC 240V
------------------------	----------------------	-------------------

AVAILABLE IN

DESCRIPTION	CODE
Silver 3000K	EX799 2BSL
Black 3000K	EX799 2BBL

NOTES

End of range product, available while stocks last. Please check stock levels prior to ordering.

Recessed Fixed*pg 321 - 324***Recessed Tilt***pg 325 - 328*



SPECIFICATIONS

DIMENSIONS	<i>D100 x H65mm</i>
CUT OUT	<i>86mm</i>
COLOUR TEMP	<i>3000K Warm White</i>
IP RATING	<i>IP65</i>
CRI	<i>< 80</i>
DIODE / LIFESPAN	<i>Sharp LED / < 40,000 Hours</i>
BEAM ANGLE	<i>24°</i>
MATERIAL	<i>316 Stainless Steel</i>
DRIVER	<i>Sold Separately</i>
APPLICATION	<i>Exterior</i>

13 WATTS	880 LUMENS	350mA SERIES CC
--------------------	----------------------	---------------------------

Drivers sold separately, specify when ordering.



AVAILABLE IN

DESCRIPTION	CODE
316 Stainless Steel 3000K	R764 STSEL
White 316 Stainless Steel 3000K	R764 WEL



SPECIFICATIONS

PATENTED HEAT SHIELD

DIMENSIONS	D86 x H95mm
CUT OUT	72mm
COLOUR TEMP	3000K Warm White
IP RATING	IP44
CRI	< 80
DIODE / LIFESPAN	Lextar LED / < 50,000 Hours
BEAM ANGLE	60°
MATERIAL	316 Stainless Steel
DRIVER	Dimmable UID™ Included (Pre-wired) 260mA
APPLICATION	Exterior

9.5 WATTS	800 LUMENS	AC 240V
----------------------	-----------------------	--------------------

	UID™ Dimmable Under Insulation Driver Included
--	--



RETROFIT
Fits 72mm Cut
Outs

AVAILABLE IN

DESCRIPTION	CODE
Black, 316 STS in 3000K	R763 BLSS3UK
White, 316 STS in 3000K	R763 WHSS3UK
316 STS in 3000K	R763 SS3UK




13

SPECIFICATIONS

DIMENSIONS	<i>D92 x H113mm</i>
CUT OUT	<i>80mm</i>
COLOUR TEMP	<i>3000K Warm White</i>
IP RATING	<i>IP44</i>
CRI	<i>< 80</i>
DIODE / LIFESPAN	<i>Sharp LED / < 40,000 Hours</i>
BEAM ANGLE	<i>60°</i>
MATERIAL	<i>316 Stainless Steel or Copper</i>
DRIVER	<i>Included (Dimmable)</i>
COMPLETE WITH	<i>Silicon Gasket</i>
APPLICATION	<i>Exterior</i>

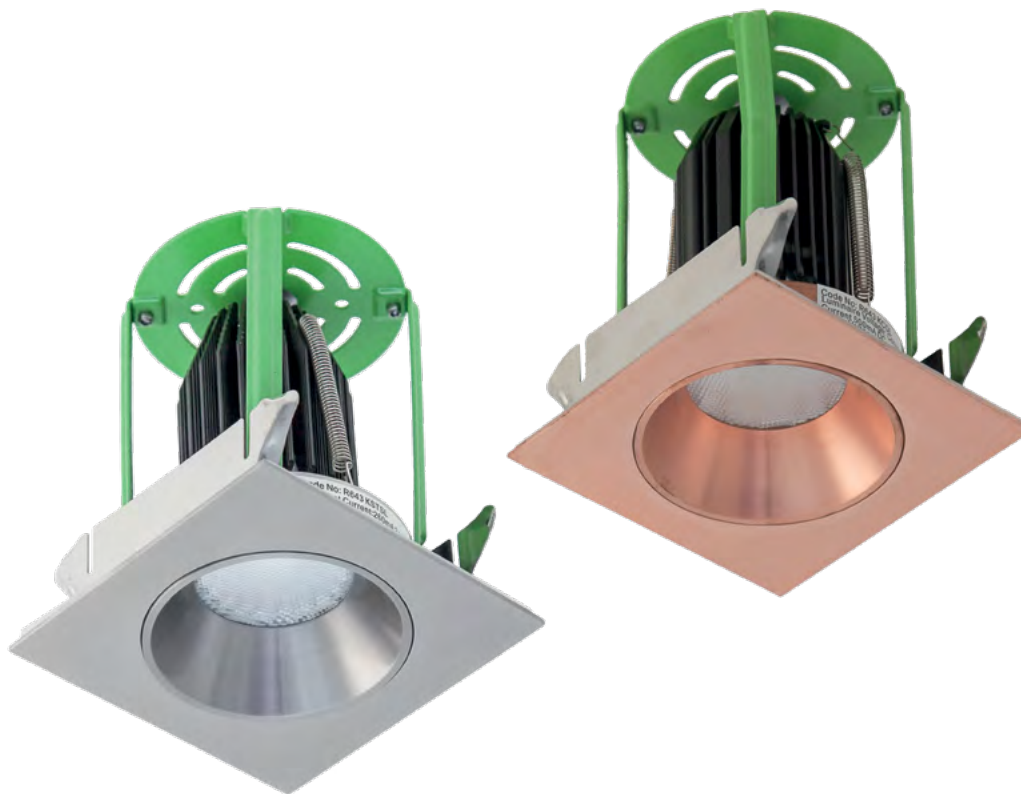
10 WATTS	800 LUMENS	AC 240V
---------------------	-----------------------	--------------------

	Standard Dimmable Driver included
--	-----------------------------------



AVAILABLE IN

DESCRIPTION	CODE
316 STS 3000K	R642 KSTSL
Copper 3000K	R642 KCOL




13

SPECIFICATIONS

DIMENSIONS	L92 x W92 x H113mm
CUT OUT	80mm
COLOUR TEMP	3000K Warm White
IP RATING	IP44
CRI	< 80
DIODE / LIFESPAN	Sharp LED / < 40,000 Hours
BEAM ANGLE	60°
MATERIAL	316 Stainless Steel or Copper
DRIVER	Included (Dimmable)
COMPLETE WITH	Silicon Gasket
APPLICATION	Exterior

10 WATTS	800 LUMENS	AC 240V
---------------------	-----------------------	--------------------

	Standard Dimmable Driver included
--	--------------------------------------



AVAILABLE IN

DESCRIPTION	CODE
316 STS 3000K	R643 KSTSL
Copper 3000K	R643 KCOL



13

SPECIFICATIONS

DIMENSIONS	<i>D92 x H113mm</i>
CUT OUT	<i>80mm</i>
COLOUR TEMP	<i>3000K Warm White</i>
IP RATING	<i>IP20</i>
CRI	<i>< 80</i>
DIODE / LIFESPAN	<i>Sharp LED / < 40,000 Hours</i>
BEAM ANGLE	<i>60°</i>
TILT ANGLE	<i>30°</i>
MATERIAL	<i>316 Stainless Steel or Copper</i>
DRIVER	<i>Included (Dimmable)</i>
COMPLETE WITH	<i>Silicon Gasket</i>
APPLICATION	<i>Exterior</i>

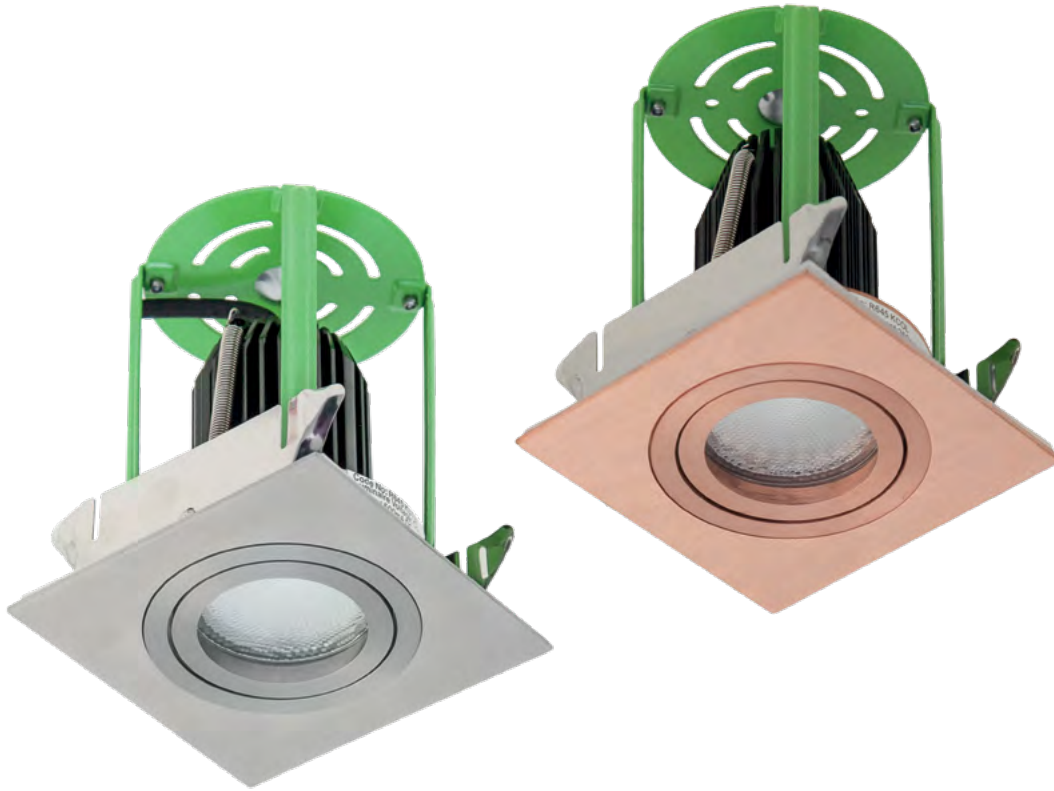
10 WATTS	800 LUMENS	AC 240V
---------------------	-----------------------	--------------------

	Standard Dimmable Driver included
--	--------------------------------------



AVAILABLE IN

DESCRIPTION	CODE
316 STS 3000K	R644 KSTSL
Copper 3000K	R644 KCOL



13

SPECIFICATIONS

DIMENSIONS	L92 x W92 x H113mm
CUT OUT	80mm
COLOUR TEMP	3000K Warm White
IP RATING	IP20
CRI	< 80
DIODE / LIFESPAN	Sharp LED / < 40,000 Hours
BEAM ANGLE	60°
TILT ANGLE	30°
MATERIAL	316 Stainless Steel or Copper with Silicon Gasket
DRIVER	Included (Dimmable)
APPLICATION	Exterior

10 WATTS	800 LUMENS	AC 240V
--------------------	----------------------	-------------------

	Standard Dimmable Driver included
--	-----------------------------------



AVAILABLE IN

DESCRIPTION	CODE
316 STS 3000K	R645 KSTSL
Copper 3000K	R645 KCOL



SPECIFICATIONS

DIMENSIONS	<i>D105 x H80mm</i>
CUT OUT	<i>82mm</i>
COLOUR TEMP	<i>3000K Warm White</i>
IP RATING	<i>IP44</i>
CRI	<i>< 80</i>
DIODE / LIFESPAN	<i>Lexstar LED / < 50,000 Hours</i>
BEAM ANGLE	<i>60°</i>
TILT ANGLE	<i>30°</i>
MATERIAL	<i>316 Stainless Steel with Silicon Gasket</i>
DRIVER	<i>Dimmable UID™ Included (Pre-wired) 260mA</i>
COMPLETE WITH	<i>Silicon Gasket</i>
APPLICATION	<i>Exterior</i>


AVAILABLE IN

DESCRIPTION	CODE
Black 316 STS 3000K	R737 KBSSWUDL
Silver 316 STS 3000K	R737 KSSWUDL
White 316 STS 3000K	R737 KWSSWUDL

9.5
WATTS

800
LUMENS

AC
240V



UID™ Dimmable
Under Insulation
Driver Included



Fits **82mm** Cut Outs

ACCESSORIES

DESCRIPTION	CODE
155mm 316 STS Conversion Plate Black	R737 CPSSB
155mm 316 STS Conversion Plate White	R737 CPSSW





13

SPECIFICATIONS

DIMENSIONS	L105 x W105 x H80mm
CUT OUT	82mm
COLOUR TEMP	3000K Warm White
IP RATING	IP44
CRI	< 80
DIODE / LIFESPAN	Lexstar LED / < 50,000 Hours
BEAM ANGLE	60°
TILT ANGLE	30°
MATERIAL	316 Stainless Steel
DRIVER	Dimmable UID™ Included (Pre-wired) 260mA
COMPLETE WITH	Silicon Gasket
APPLICATION	Exterior

9.5 WATTS	800 LUMENS	AC 240V
----------------------	-----------------------	--------------------

	UID™ Dimmable Under Insulation Driver Included
--	--



RETROFIT
Fits 82mm Cut
Outs

AVAILABLE IN

DESCRIPTION	CODE
Black 316 STS 3000K	R738 KBSSWUDL
Silver 316 STS 3000K	R738 KSSWUDL
White 316 STS 3000K	R738 KWSSWUDL

14

EXTERIOR HORIZONTAL SURFACE MOUNT

Cubes
pg 331

Buttons
pg 332 - 334

Battens
pg 335





SPECIFICATIONS

DIMENSIONS	L102 x W102 x H150mm
COLOUR TEMP	3000K Warm White
IP RATING	IP65
CRI	< 80
DIODE / LIFESPAN	Osram LED / < 50,000 Hours
BEAM ANGLE	40°
MATERIAL	Corrosion Proof Poly Carbonate
DRIVER	Incorporated in base, non dimmable
APPLICATION	Exterior Surface Mount, horizontal surfaces only.

9
WATTS

640
LUMENS

AC
240V

AVAILABLE IN

DESCRIPTION	CODE
White 3000K	EX906 1CWL
Silver Grey 3000K	EX906 1CSL
Charcoal Brown 3000K	EX906 1CBRL
Black 3000K	EX906 1CBL



SPECIFICATIONS

DIMENSIONS	<i>D190 x H74mm</i>
COLOUR TEMP	<i>3000K Warm White</i>
IP RATING	<i>IP65</i>
CRI	<i>< 80</i>
DIODE / LIFESPAN	<i>SMD LED / < 50,000 Hours</i>
BEAM ANGLE	<i>120°</i>
MATERIAL	<i>Corrosion Proof Poly Carbonate</i>
DRIVER	<i>AC LED Driverless technology (240V) Non Dimmable</i>
APPLICATION	<i>Exterior Surface Mount</i>

8 WATTS	480 LUMENS	AC 240V
--------------------	-----------------------	--------------------

AVAILABLE IN

DESCRIPTION	CODE
White 3000K	EX250 1CW
Silver Grey 3000K	EX250 1CS
Charcoal 3000K	EX250 1CC
Black 3000K	EX250 1CB



14

SPECIFICATIONS

DIMENSIONS	<i>D245 x H74mm</i>
COLOUR TEMP	<i>3000K Warm White</i>
IP RATING	<i>IP65</i>
CRI	<i>< 80</i>
DIODE / LIFESPAN	<i>SMD LED / < 50,000 Hours</i>
BEAM ANGLE	<i>120°</i>
MATERIAL	<i>Corrosion Proof Poly Carbonate</i>
DRIVER	<i>AC LED Driverless technology (240V) Non Dimmable</i>
APPLICATION	<i>Exterior Surface Mount</i>

13 WATTS	780 LUMENS	AC 240V
---------------------	-----------------------	--------------------

AVAILABLE IN

DESCRIPTION	CODE
White 3000K	EX251 1CW
Silver Grey 3000K	EX251 1CS
Charcoal 3000K	EX251 1CC
Black 3000K	EX251 1CB



SPECIFICATIONS

DIMENSIONS	<i>D310 x H74mm</i>
COLOUR TEMP	<i>3000K Warm White</i>
IP RATING	<i>IP65</i>
CRI	<i>< 80</i>
DIODE / LIFESPAN	<i>SMD LED / < 50,000 Hours</i>
BEAM ANGLE	<i>120°</i>
MATERIAL	<i>Corrosion Proof Poly Carbonate</i>
DRIVER	<i>AC LED Driverless technology (240V) Non Dimmable</i>
APPLICATION	<i>Exterior Surface Mount</i>

18 WATTS	1080 LUMENS	AC 240V
---------------------	------------------------	--------------------

AVAILABLE IN

DESCRIPTION	CODE
White 3000K	EX252 1CW
Silver Grey 3000K	EX252 1CS
Charcoal 3000K	EX252 1CC
Black 3000K	EX252 1CB



14

SPECIFICATIONS

DIMENSIONS	LED450: L653 x W128 x H80mm LED451: L1263 x W128 x H80mm LED452: L1563 x W128 x H80mm
COLOUR TEMP	4000K Natural White
CRI	82
IP RATING	IP65
IK RATING	IK08
DIODE / LIFESPAN	Edison LED / < 50,000 Hours
BEAM ANGLE	120°
MATERIAL	Aluminum / ABS Plastic
DRIVER	Incorporated (Non Dimmable)
APPLICATION	Interior / Exterior general lighting

LED450	LED451	LED452
1,900 LUMENS	4,000 LUMENS	5,600 LUMENS
20 WATTS	40 WATTS	60 WATTS
AC 240V	AC 240V	AC 240V

AVAILABLE IN

DESCRIPTION	CODE
2ft 4000K Natural White	LED450 IPNX
4ft 4000K Natural White	LED451 IPNX
5ft 4000K Natural White	LED452 IPNX



Multi-Use Spots

pg 339 - 354

Residential Floods

pg 355 - 358

Commercial Floods

pg 359 - 366





SPECIFICATIONS

DIMENSIONS	80 x 97mm
COLOUR TEMP	2700K Super Warm White
IP RATING	IP68
CRI	< 80
DIODE / LIFESPAN	Cree LED / < 30,000 Hours
BEAM ANGLE	60°
MATERIAL	316 Stainless Steel or Copper
DRIVER	Sold separately (Constant Voltage 24V)
COMPLETE WITH	Spike Spot attachment
APPLICATION	Exterior Surface Mount or Spike Spot

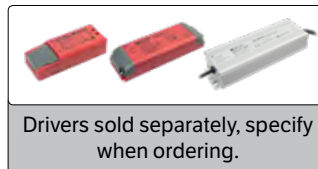
AVAILABLE IN

DESCRIPTION	CODE
Black Titanium 316 Stainless Steel 2700K	EX105 1SBL
Copper 2700K	EX105 1SCOL
316 Stainless Steel 2700K	EX105 1SSSL

OPTIONAL ACCESSORIES

DESCRIPTION	CODE
1M Feed Cable	EX105 FC1M
1.5M Loop Extension Cable	EX105 LC1.5M
3M Loop Extension Cable	EX105 LC3M
5M Loop Extension Cable	EX105 LC5M
2-Way Socket	EX106 S2
3-Way Socket	EX106 S3

3 WATTS **106 LUMENS** **CV PARALLEL 24V**



SPIKE SPOT INCLUDED



IMPORTANT

Double Driver wattage to avoid Voltage Drop
E.g. for a circuit with 5 x 3W fittings use a 30W or higher CV Driver.



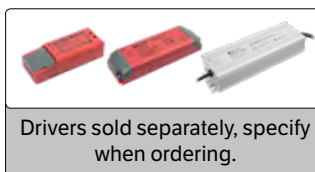
SPECIFICATIONS

DIMENSIONS	112 x 122mm
COLOUR TEMP	2700K Super Warm White or RGB+W
IP RATING	IP68
CRI	< 80
DIODE / LIFESPAN	Cree LED / < 30,000 Hours
BEAM ANGLE	60°
MATERIAL	316 Stainless Steel or Copper
DRIVER	Sold separately (Constant Voltage 24V)
COMPLETE WITH	Spike Spot attachment
APPLICATION	Exterior Surface Mount or Spike Spot

7
WATTS

430
LUMENS

CV
PARALLEL
24V



Drivers sold separately, specify when ordering.



Available in
RGBW

15

AVAILABLE IN

DESCRIPTION	CODE
Black Titanium 316 Stainless Steel 2700K	EX106 1SBL
Copper 2700K	EX106 1SCOL
316 Stainless Steel 2700K	EX106 1SSSL
Black Titanium 316 Stainless Steel RGB+W	EX106 1SBRGBW
316 Stainless Steel RGB+W	EX106 1SSSRGBW

SPIKE SPOT INCLUDED

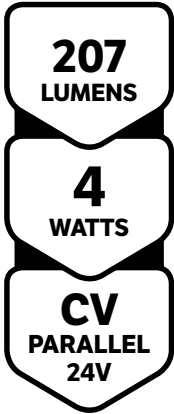


OPTIONAL ACCESSORIES

DESCRIPTION	CODE
1M Feed Cable	EX106 FC1M
1.5M Loop Extension Cable	EX106 LC1.5M
3M Loop Extension Cable	EX106 LC3M
5M Loop Extension Cable	EX106 LC5M
2-Way Socket (2700K Only)	EX106 S2
3-Way Socket (2700K Only)	EX106 S3
RGB 1M Feed Cable	EX106 FCRGB1M
RGB 1.5M Loop Extension Cable	EX106 LCRGB1.5M
RGB 3M Loop Extension Cable	EX106 LCRGB3M
RGB 5M Loop Extension Cable	EX106 LCRGB5M

IMPORTANT

Increase driver wattage to avoid Voltage Drop
E.g. for a circuit with 2 x 7W fittings use a 30W
or higher CV Driver.



SPECIFICATIONS

DIMENSIONS	Spot Diameter: 44mm W100 x H292mm
MAX RUN	75W (18 x EX191 per circuit)
COLOUR TEMP	2700K Warm White
IP RATING	IP66
CRI	< 80
DIODE / LIFESPAN	Sharp 24V DC CV / < 40,000 Hours
BEAM ANGLE	30° Beam
TILT / ROTATE	270° Tilt 355° Rotate
MATERIAL	316 Stainless Steel or Copper
DRIVER	Sold separately (Constant Voltage 24V)
COMPLETE WITH	Spike Spot attachment
APPLICATION	Exterior Surface Mount / Spike Spot

OPTIONAL ACCESSORIES

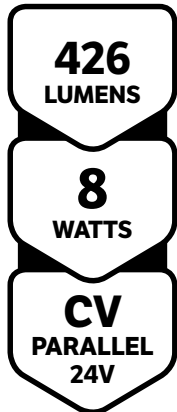
DESCRIPTION	CODE
EX191/192 1M LOOP/EXTENSION CABLE	EX193 LC1M
EX191/192 2M LOOP/EXTENSION CABLE	EX193 LC2M
EX191/192 3M LOOP/EXTENSION CABLE	EX193 LC3M
EX191/192 4M LOOP/EXTENSION CABLE	EX193 LC4M
EX191/192 5M LOOP/EXTENSION CABLE	EX193 LC5M
EX191/192 10M LOOP/EXTENSION CABLE	EX193 LC10M
EX191/192 2 WAY SPOT SOCKET	EX193 S2
EX191/192 3 WAY SPOT SOCKET	EX193 S3
EX191/192 5 WAY SPOT SOCKET	EX193 S5

AVAILABLE IN

DESCRIPTION	CODE
316 STS 2700K	EX191 1SSSL
316 STS Black 2700K	EX191 1SBSL
Copper 2700K	EX191 1SCOL

IMPORTANT

Double Driver wattage to avoid Voltage Drop
E.g. for a circuit with 5 x 4W fittings use a 40W
or higher CV Driver.



SPECIFICATIONS

DIMENSIONS	Spot Diameter: 70mm W135 x H658mm
MAX RUN	75W (9 x EX192 per circuit)
COLOUR TEMP	2700K Warm White
IP RATING	IP66
CRI	< 80
DIODE / LIFESPAN	Sharp 24V DC CV / < 40,000 Hours
BEAM ANGLE	30° Beam
TILT / ROTATE	270° Tilt 355° Rotate
MATERIAL	316 Stainless Steel or Copper
DRIVER	Sold separately (Constant Voltage 24V)
COMPLETE WITH	Spike Spot attachment
APPLICATION	Exterior Surface Mount / Spike Spot

OPTIONAL ACCESSORIES

DESCRIPTION	CODE
EX191/192 1M LOOP/EXTENSION CABLE	EX193 LC1M
EX191/192 2M LOOP/EXTENSION CABLE	EX193 LC2M
EX191/192 3M LOOP/EXTENSION CABLE	EX193 LC3M
EX191/192 4M LOOP/EXTENSION CABLE	EX193 LC4M
EX191/192 5M LOOP/EXTENSION CABLE	EX193 LC5M
EX191/192 10M LOOP/EXTENSION CABLE	EX193 LC10M
EX191/192 2 WAY SPOT SOCKET	EX193 S2
EX191/192 3 WAY SPOT SOCKET	EX193 S3
EX191/192 5 WAY SPOT SOCKET	EX193 S5

AVAILABLE IN

DESCRIPTION	CODE
316 STS 2700K	EX192 1SSSL
316 STS Black 2700K	EX192 1SBSL
Copper 2700K	EX192 1SCOL

IMPORTANT

Double Driver wattage to avoid Voltage Drop
E.g. for a circuit with 3 x 8W fittings use a 50W
or higher CV Driver.

15



SPECIFICATIONS

DIMENSIONS	<i>L217mm / Head Diameter 60mm</i>
COLOUR TEMP	<i>2700K Super Warm White</i>
IP RATING	<i>IP65</i>
CRI	<i>< 80</i>
DIODE / LIFESPAN	<i>Cree LED / < 30,000 Hours</i>
BEAM ANGLE	<i>45°</i>
MATERIAL	<i>316 Stainless Steel or Copper</i>
DRIVER	<i>Incorporated in Base (Dimmable)</i>
APPLICATION	<i>Exterior Wall / Column / Ceiling Spot</i>

800 LUMENS	9 WATTS	AC 240V
----------------------	-------------------	-------------------

AVAILABLE IN

DESCRIPTION	CODE
316 STS 2700K	EX113 1BSS
Copper 2700K	EX113 1BCO
Black Titanium 2700K	EX113 1BB

All Halcyon Exterior products go through extensive waterproof testing and quality control prior to sale. Due to the nature of the tests all Copper and 316 STS luminaires will have slight "water staining" from water immersion. Please note that once installed Copper and 316 STS develops a natural patina finish which negates any effects from the aforementioned testing process.



SPECIFICATIONS

DIMENSIONS	Spot: 64×103mm Base: 64mm
CUT OUT	N/A - Surface Mount
COLOUR TEMP	3000K Warm White
IP RATING	IP65
CRI	< 80
DIODE / LIFESPAN	Bridgelux CC 350mA / < 50,000 Hours
BEAM ANGLE	40° Beam
TILT / ROTATE	90° Tilt 355° Rotate
MATERIAL	Aluminium
DRIVER	Incorporated in base
APPLICATION	Interior / Exterior Surface Mount

860 LUMENS	9.8 WATTS	AC 240V
----------------------	---------------------	-------------------

AVAILABLE IN

DESCRIPTION	CODE
White 3000K	EX789 1BW
Black 3000K	EX789 1BBL
Brown 3000K	EX789 1BBR
Charcoal Grey 3000K	EX789 1BCG



15

SPECIFICATIONS

DIMENSIONS	<i>L173mm / Head Diameter 60mm</i>
COLOUR TEMP	<i>3000K Warm White</i>
IP RATING	<i>IP65</i>
CRI	<i>< 80</i>
DIODE / LIFESPAN	<i>COB LED / < 40,000 Hours</i>
BEAM ANGLE	<i>30°</i>
MATERIAL	<i>Aluminium</i>
DRIVER	<i>Incorporated in Base (Non Dimmable)</i>
APPLICATION	<i>Exterior Wall / Column / Ceiling Spot</i>

545 LUMENS	9 WATTS	AC 240V
----------------------	-------------------	-------------------

AVAILABLE IN

DESCRIPTION	CODE
Black 3000K	EX800 1BBL
Silver 3000K	EX800 1BSL



15

SPECIFICATIONS

DIMENSIONS	<i>L196mm / Head Diameter 80mm</i>
COLOUR TEMP	<i>3000K Warm White</i>
IP RATING	<i>IP65</i>
CRI	<i>< 80</i>
DIODE / LIFESPAN	<i>COB LED / < 40,000 Hours</i>
BEAM ANGLE	<i>50°</i>
MATERIAL	<i>Aluminium</i>
DRIVER	<i>Incorporated in Base (Non Dimmable)</i>
APPLICATION	<i>Exterior Wall / Ceiling Spot</i>

990 LUMENS	14 WATTS	AC 240V
----------------------	--------------------	-------------------

AVAILABLE IN

DESCRIPTION	CODE
Black 3000K	EX801 1BBL
Silver 3000K	EX801 1BSL



15

SPECIFICATIONS

DIMENSIONS	<i>L232mm / Head Diameter 116mm</i>
COLOUR TEMP	<i>3000K Warm White</i>
IP RATING	<i>IP65</i>
CRI	<i>< 80</i>
DIODE / LIFESPAN	<i>COB LED / < 40,000 Hours</i>
BEAM ANGLE	<i>40°</i>
MATERIAL	<i>Aluminium</i>
DRIVER	<i>Incorporated in Base (Non Dimmable)</i>
APPLICATION	<i>High Output Exterior Wall / Ceiling Spot</i>

2640 LUMENS	28 WATTS	AC 240V
-----------------------	--------------------	-------------------

AVAILABLE IN

DESCRIPTION	CODE
Black 3000K	EX802 1BBL
Silver 3000K	EX802 1BSL



SPECIFICATIONS

COLOUR TEMP	2700K
INPUT VOLTAGE	24V DC
IP RATING	IP65
IK RATING	IK08
WORKING TEMP	-20° to 40°C
GLASS TYPE	Tempered Glass T=4mm
CRI	< 80
DIODE / LIFESPAN	Osram COB LED / < 40,000 Hours
BEAM ANGLE	40°
TILT ANGLE	180°
HOUSING	Diecast Aluminium, Powdercoat Finish T=60-80um ISO Class 1/ASTM Class 4B
DRIVER	Remote Driven, Sold separately 24V DC
COMPLETE WITH	Pre wired with 24V IP68 feed
APPLICATION	Multipurpose Surface Mount, suitable for both vertical or horizontal surfaces. Spike Spot accessory available for garden installation.

INSTALLATION NOTES

Take pride with installation. All cable joints must be Resin or IP68 type (standard crimps, terminal blocks and PVC tape are not suitable cable joining methods.) Incorrect installation will result in water ingress and luminaire failure.

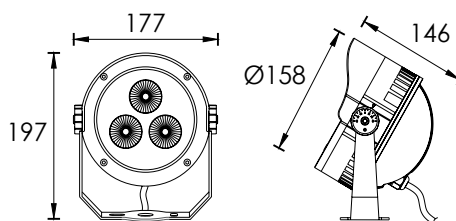
24V
PARALLEL

18.5
WATTS

1230
LUMENS

15

DIMENSIONS



AVAILABLE IN

DESCRIPTION	CODE
2700K Black	EX370 1SWBL

ACCESSORIES

DESCRIPTION	CODE
Spike Spot 308mm	EX370 SPIKE



SPECIFICATIONS

COLOUR TEMP	2700K
INPUT VOLTAGE	24V DC
IP RATING	IP65
IK RATING	IK09
WORKING TEMP	-20° to 40°C
GLASS TYPE	Tempered Glass T=4mm
CRI	< 80
DIODE / LIFESPAN	Bridgelux LED / < 40,000 Hours
BEAM ANGLE	30°
TILT ANGLE	180°
HOUSING	Diecast Aluminium, Powdercoat Finish T=60-80um ISO Class 1/ASTM Class 4B
DRIVER	Remote Driven, Sold separately 24V DC
COMPLETE WITH	Pre wired with 24V IP68 feed
APPLICATION	Multipurpose Surface Mount, suitable for both vertical or horizontal surfaces. Spike Spot accessory available for garden installation.

INSTALLATION NOTES

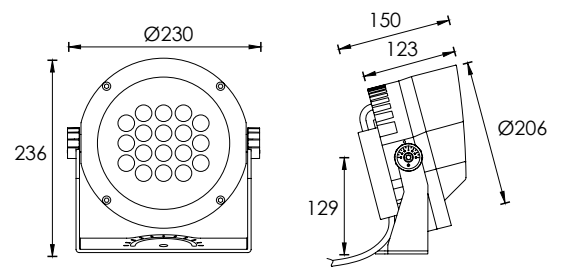
Take pride with installation. All cable joints must be Resin or IP68 type (standard crimps, terminal blocks and PVC tape are not suitable cable joining methods.) Incorrect installation will result in water ingress and luminaire failure.

24V
PARALLEL

36
WATTS

1927
LUMENS

DIMENSIONS



AVAILABLE IN

DESCRIPTION	CODE
2700K Black	EX372 1SWBL

ACCESSORIES

DESCRIPTION	CODE
Spike Spot 270mm	EX372 SPIKE



24V RGB+W
Four Colour

SPECIFICATIONS

COLOUR TEMP	RGB + 2700K
INPUT VOLTAGE	24V DC
IP RATING	IP65
IK RATING	IK07
WORKING TEMP	-20° to 40°C
GLASS TYPE	Tempered Glass T=4mm
CRI	< 80
DIODE / LIFESPAN	Osram LED / < 40,000 Hours
BEAM ANGLE	22°
TILT ANGLE	180°
HOUSING	Diecast Aluminium, Powdercoat Finish T=60-80um ISO Class 1/ASTM Class 4B
DRIVER	Remote Driven, Sold separately 24V DC
COMPLETE WITH	Pre wired with 24V IP68 feed
APPLICATION	Multipurpose Surface Mount, suitable for both vertical or horizontal surfaces. Spike Spot accessory available for garden installation.

INSTALLATION NOTES

Take pride with installation. All cable joints must be Resin or IP68 type (standard crimps, terminal blocks and PVC tape are not suitable cable joining methods.) Incorrect installation will result in water ingress and luminaire failure.

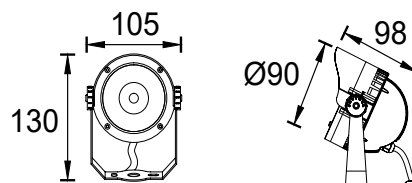
24V
PARALLEL

8.1
WATTS

213
AV. LUMENS

15

DIMENSIONS



AVAILABLE IN

DESCRIPTION	CODE
RGB + 2700K Black	EX375 1SRBL

ACCESSORIES

DESCRIPTION	CODE
Spike Spot 210mm	EX375 SPIKE



24V RGB+W
 Four Colour



SPECIFICATIONS

COLOUR TEMP	RGB + 2700K
INPUT VOLTAGE	24V DC
IP RATING	IP65
IK RATING	IK07
WORKING TEMP	-20° to 40°C
GLASS TYPE	Tempered Glass T=4mm
CRI	< 80
DIODE / LIFESPAN	Osram LED / < 40,000 Hours
BEAM ANGLE	22°
TILT ANGLE	180°
HOUSING	Diecast Aluminium, Powdercoat Finish T=60-80um ISO Class 1/ASTM Class 4B
DRIVER	Remote Driven, Sold separately 24V DC
COMPLETE WITH	Pre wired with 24V IP68 feed
APPLICATION	Multipurpose Surface Mount, suitable for both vertical or horizontal surfaces. Spike Spot accessory available for garden installation.

INSTALLATION NOTES

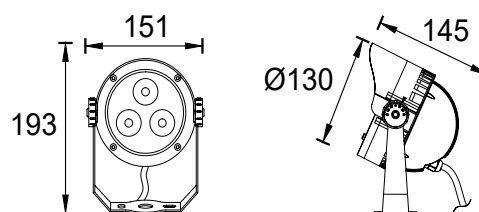
Take pride with installation. All cable joints must be Resin or IP68 type (standard crimps, terminal blocks and PVC tape are not suitable cable joining methods.) Incorrect installation will result in water ingress and luminaire failure.

24V
PARALLEL

14
WATTS

410
AV. LUMENS

DIMENSIONS



AVAILABLE IN

DESCRIPTION	CODE
RGB + 2700K Black	EX376 1SRBL

ACCESSORIES

DESCRIPTION	CODE
Spike Spot 308mm	EX376 SPIKE



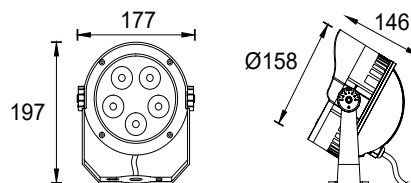
24V RGB+W
Four Colour

SPECIFICATIONS

COLOUR TEMP	RGB + 2700K
INPUT VOLTAGE	24V DC
IP RATING	IP65
IK RATING	IK07
WORKING TEMP	-20° to 40°C
GLASS TYPE	Tempered Glass T=4mm
CRI	< 80
DIODE / LIFESPAN	Osram LED / < 40,000 Hours
BEAM ANGLE	22°
TILT ANGLE	180°
HOUSING	Diecast Aluminium, Powdercoat Finish T=60-80um ISO Class 1/ASTM Class 4B
DRIVER	Remote Driven, Sold separately 24V DC
COMPLETE WITH	Pre wired with 24V IP68 feed
APPLICATION	Multipurpose Surface Mount, suitable for both vertical or horizontal surfaces. Spike Spot accessory available for garden installation.

24V PARALLEL	23 WATTS	640 AV. LUMENS
------------------------	--------------------	--------------------------

DIMENSIONS



AVAILABLE IN

DESCRIPTION	CODE
RGB + 2700K Black	EX377 1SRBL

ACCESSORIES

DESCRIPTION	CODE
Spike Spot 308mm	EX377 SPIKE

INSTALLATION NOTES

Take pride with installation. All cable joints must be Resin or IP68 type (standard crimps, terminal blocks and PVC tape are not suitable cable joining methods.) Incorrect installation will result in water ingress and luminaire failure.

15

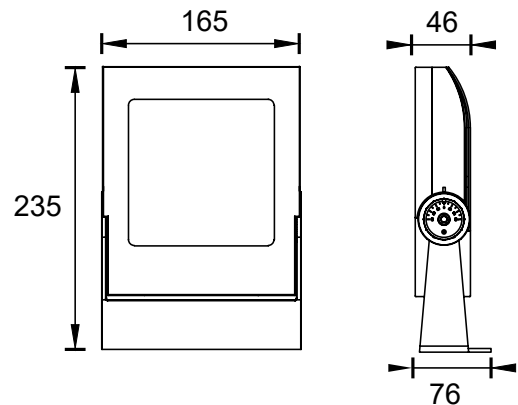


SPECIFICATIONS

COLOUR TEMP	2700K
INPUT VOLTAGE	24V DC
IP RATING	IP65
IK RATING	IK09
WORKING TEMP	-20° to 40°C
GLASS TYPE	Tempered Glass T=4mm
CRI	< 80
DIODE / LIFESPAN	Bridgelux COB LED / < 40,000 Hours
BEAM ANGLE	25°
TILT ANGLE	180°
HOUSING	Diecast Aluminium, Powdercoat Finish T=60-80um ISO Class 1/ASTM Class 4B
DRIVER	Remote Driven, Sold separately 24V DC
COMPLETE WITH	Pre wired with 24V IP68 feed
APPLICATION	Multipurpose Surface Mount, suitable for both vertical or horizontal surfaces

24V PARALLEL	30.7 WATTS	1757 LUMENS
------------------------	----------------------	-----------------------

DIMENSIONS

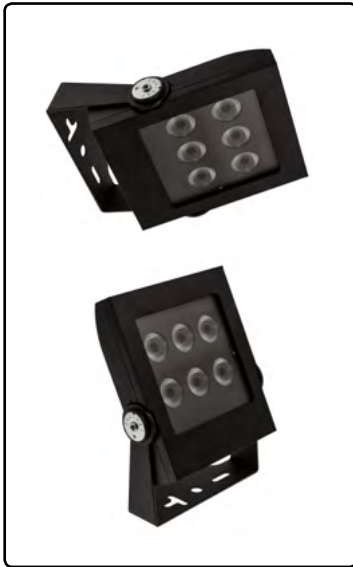


INSTALLATION NOTES

Take pride with installation. All cable joints must be Resin or IP68 type (standard crimps, terminal blocks and PVC tape are not suitable cable joining methods.) Incorrect installation will result in water ingress and luminaire failure.

AVAILABLE IN

DESCRIPTION	CODE
2700K Black	EX360 1BBL



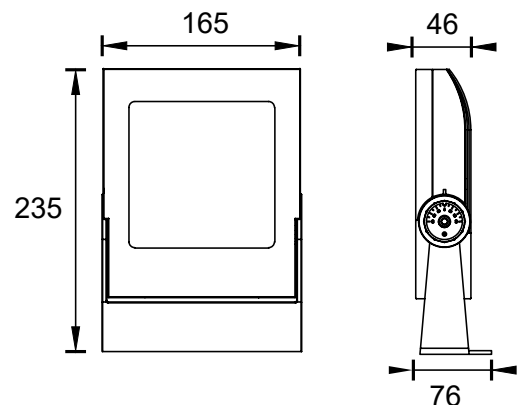
24V RGB+W
Version

SPECIFICATIONS

COLOUR TEMP	RGB + 2700K
INPUT VOLTAGE	24V DC
IP RATING	IP65
IK RATING	IK09
WORKING TEMP	-20° to 40°C
GLASS TYPE	Tempered Glass T=4mm
CRI	< 80
DIODE / LIFESPAN	Bridgelux LED / < 40,000 Hours
BEAM ANGLE	30°
TILT ANGLE	180°
HOUSING	Diecast Aluminium, Powdercoat Finish T=60-80um ISO Class 1/ASTM Class 4B
DRIVER	Remote Driven, Sold separately 24V DC
COMPLETE WITH	Pre wired with 24V IP68 feed
APPLICATION	Multipurpose Surface Mount, suitable for both vertical or horizontal surfaces

24V PARALLEL	32 WATTS	1000 AV. LUMENS
------------------------	--------------------	---------------------------

DIMENSIONS



INSTALLATION NOTES

Take pride with installation. All cable joints must be Resin or IP68 type (standard crimps, terminal blocks and PVC tape are not suitable cable joining methods.) Incorrect installation will result in water ingress and luminaire failure.

AVAILABLE IN

DESCRIPTION	CODE
RGB+W Black	EX361 1BRBL



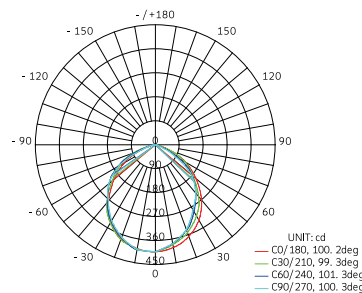
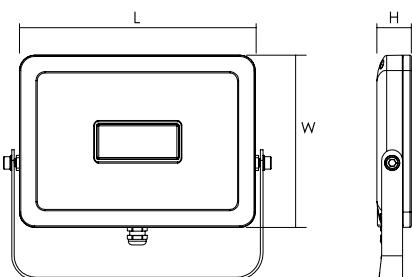
SPECIFICATIONS

DIMENSIONS	L130 x W95 x H21mm
COLOUR TEMP	3000K Warm White or 4000K Natural White
IP RATING	IP65
CRI	82
DIODE / LIFESPAN	Lextar LED / < 50,000 Hours
WORKING TEMP	-20° to 45°C
POWER FACTOR	0.6
BEAM ANGLE	100°
MATERIAL	Aluminium
DRIVER	Incorporated (Non Dimmable)
FEATURES	Condensation relief valve & tempered glass
APPLICATION	Residential / Commercial

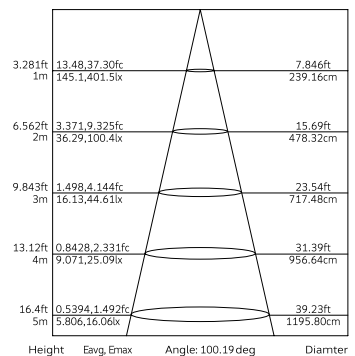
800 LUMENS	10 WATTS	AC 240V
-----------------------	---------------------	--------------------

AVAILABLE IN

DESCRIPTION	CODE
Black, 3000K	EX300 BL3
Black, 4000K	EX300 BL4
Charcoal, 3000K	EX300 CH3
Charcoal, 4000K	EX300 CH4
White, 3000K	EX300 WH3



Average beam angle (50%): 100.3 deg





SPECIFICATIONS

DIMENSIONS	L185 x W95 x H21mm
COLOUR TEMP	3000K Warm White or 4000K Natural White
IP RATING	IP65
CRI	82
DIODE / LIFESPAN	Lexar LED / < 50,000 Hours
WORKING TEMP	-20° to 45°C
POWER FACTOR	0.6
BEAM ANGLE	100°
MATERIAL	Aluminium
DRIVER	Incorporated (Non Dimmable)
FEATURES	Condensation relief valve & tempered glass
APPLICATION	Residential / Commercial

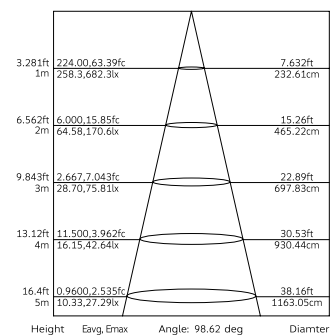
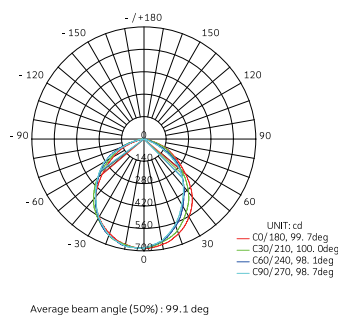
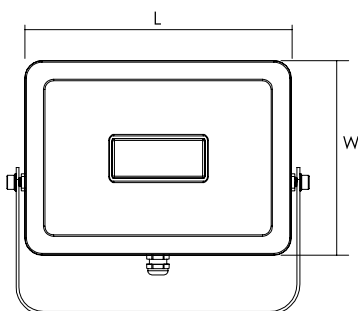
1600
LUMENS

20
WATTS

AC
240V

AVAILABLE IN

DESCRIPTION	CODE
Black, 3000K	EX301 BL3
Black, 4000K	EX301 BL4
Charcoal, 3000K	EX301 CH3
Charcoal, 4000K	EX301 CH4
White, 3000K	EX301 WH3





SPECIFICATIONS

DIMENSIONS	L230 x W160 x H38mm
COLOUR TEMP	3000K Warm White or 4000K Natural White
IP RATING	IP65
CRI	82
DIODE / LIFESPAN	Lextar LED / < 50,000 Hours
WORKING TEMP	-20° to 45°C
POWER FACTOR	0.95
BEAM ANGLE	100°
MATERIAL	Aluminium
DRIVER	Incorporated (Non Dimmable)
FEATURES	Condensation relief valve & tempered glass
APPLICATION	Residential / Commercial

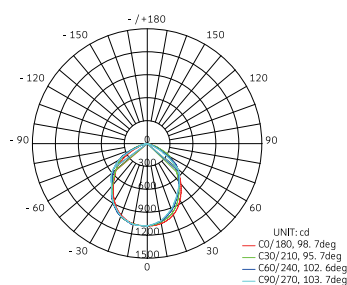
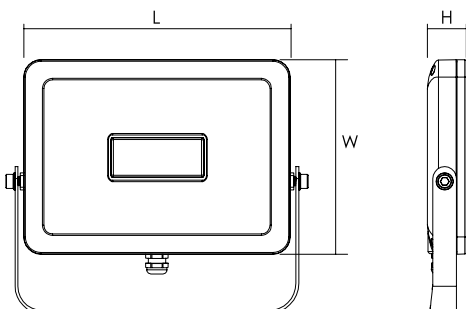
**2400
LUMENS**

**30
WATTS**

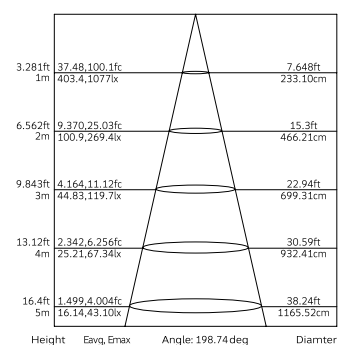
**AC
240V**

AVAILABLE IN

DESCRIPTION	CODE
Black, 3000K	EX302 BL3
Black, 4000K	EX302 BL4
Charcoal, 3000K	EX302 CH3
Charcoal, 4000K	EX302 CH4



Average beam angle (50%): 100.2 deg





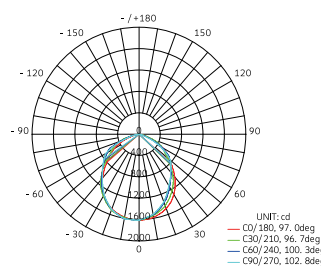
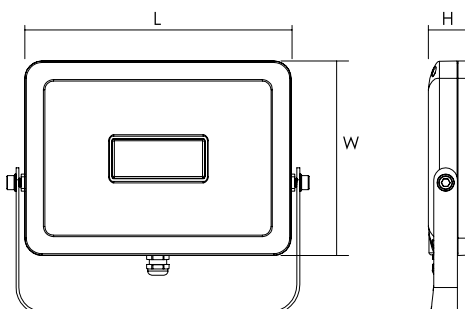
SPECIFICATIONS

DIMENSIONS	L290 x W210 x H40.5mm
COLOUR TEMP	3000K Warm White or 4000K Natural White
IP RATING	IP65
CRI	82
DIODE / LIFESPAN	Lextar LED / < 50,000 Hours
WORKING TEMP	-20° to 45°C
POWER FACTOR	0.95
BEAM ANGLE	100°
MATERIAL	Aluminium
DRIVER	Incorporated (Non Dimmable)
FEATURES	Condensation relief valve & tempered glass
APPLICATION	Residential / Commercial

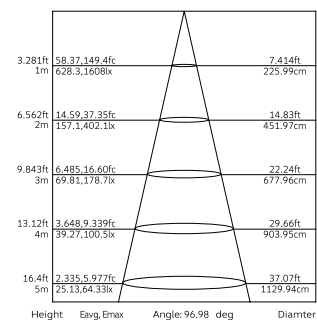
3900 LUMENS	50 WATTS	AC 240V
------------------------	---------------------	--------------------

AVAILABLE IN

DESCRIPTION	CODE
Black, 3000K	EX303 BL3
Black, 4000K	EX303 BL4
Charcoal, 3000K	EX303 CH3
Charcoal, 4000K	EX303 CH4



Average beam angle (50%): 99.2 deg





SPECIFICATIONS

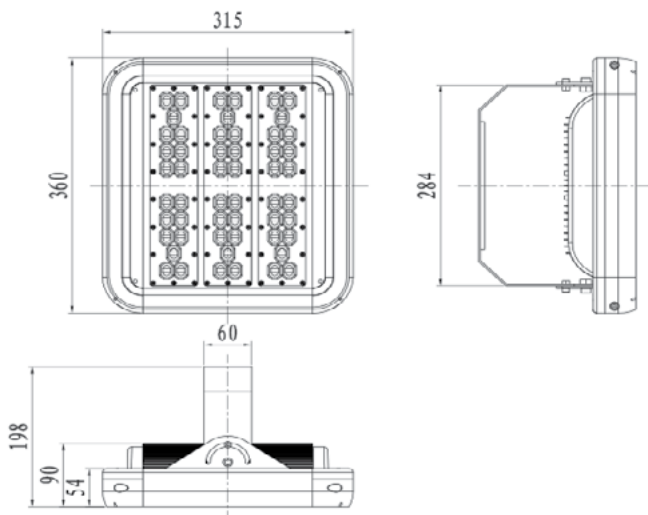
DIMENSIONS	L315 x W360 x H90mm
COLOUR TEMP	4000K Natural White
IP RATING	IP65
CRI	70
DIODE / LIFESPAN	Nichia LED / <50,000 Hours
WORKING TEMP	-40° to 50°C
WORKING HUMIDITY	15% to 90% RH
POWER FACTOR	0.95
BEAM ANGLE	60° * 90°
MATERIAL	Aluminium
DRIVER	Incorporated (Non Dimmable)
APPLICATION	Residential / Commercial

8000 LUMENS	80 WATTS	AC 240V
-----------------------	--------------------	-------------------

AVAILABLE IN

DESCRIPTION	CODE
Silver, 4000K	EX229 1BNS

Free Dialux Simulation available, provide plans and desired light levels.





SPECIFICATIONS

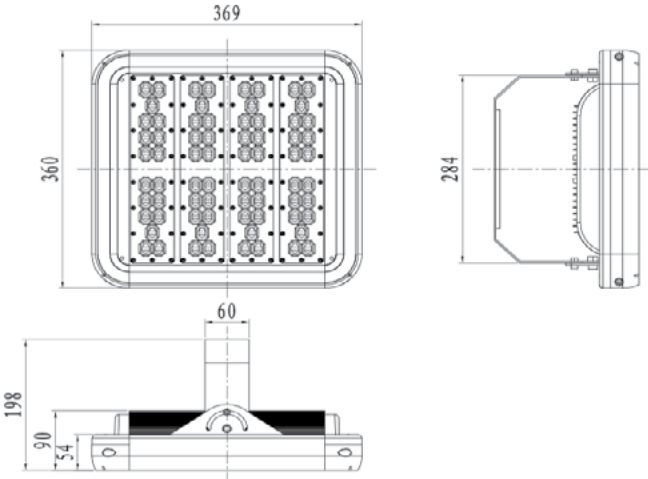
DIMENSIONS	L315 x W360 x H90mm
COLOUR TEMP	4000K Natural White
IP RATING	IP65
CRI	70
DIODE / LIFESPAN	Nichia LED / < 50,000 Hours
WORKING TEMP	-40° to 50°C
WORKING HUMIDITY	15% to 90% RH
POWER FACTOR	0.95
BEAM ANGLE	60° * 90°
MATERIAL	Aluminium
DRIVER	Incorporated (Non Dimmable)
APPLICATION	Commercial

12,000 LUMENS	120 WATTS	AC 240V
-------------------------	---------------------	-------------------

AVAILABLE IN

DESCRIPTION	CODE
Silver, 4000K	EX230 1BNS

Free Dialux Simulation available, provide plans and desired light levels.



15



SPECIFICATIONS

DIMENSIONS	L441 x W360 x D90mm
COLOUR TEMP	4000K Natural White
IP RATING	IP65
CRI	70
DIODE / LIFESPAN	Nichia LED / < 50,000 Hours
WORKING TEMP	-40° to 50°C
WORKING HUMIDITY	15% to 90% RH
POWER FACTOR	0.95
BEAM ANGLE	60° * 90°
MATERIAL	Aluminium
DRIVER	Incorporated (Non Dimmable)
APPLICATION	Commercial

15,000
LUMENS

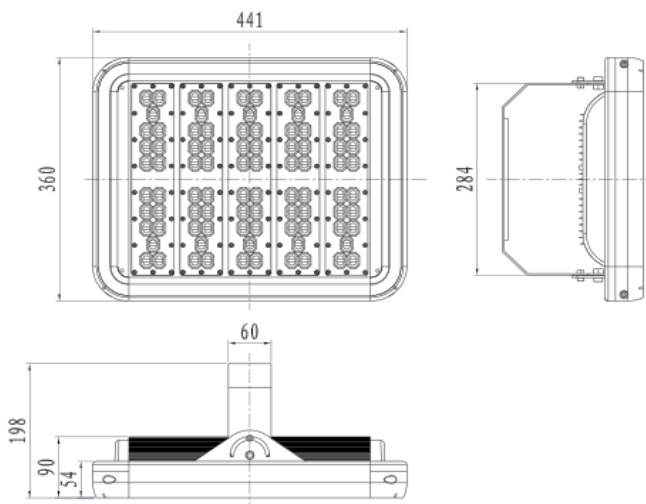
150
WATTS

AC
240V

AVAILABLE IN

DESCRIPTION	CODE
Silver, 4000K	EX231 1BNS

Free Dialux Simulation available, provide plans and desired light levels.





SPECIFICATIONS

DIMENSIONS	L505 x W360 x D90mm
COLOUR TEMP	4000K Natural White
IP RATING	IP65
CRI	70
DIODE / LIFESPAN	Nichia LED / < 50,000 Hours
WORKING TEMP	-40° to 50°C
WORKING HUMIDITY	15% to 90% RH
POWER FACTOR	0.95
BEAM ANGLE	60° * 90°
MATERIAL	Aluminium
DRIVER	Incorporated (Non Dimmable)
APPLICATION	Commercial

18,000
LUMENS

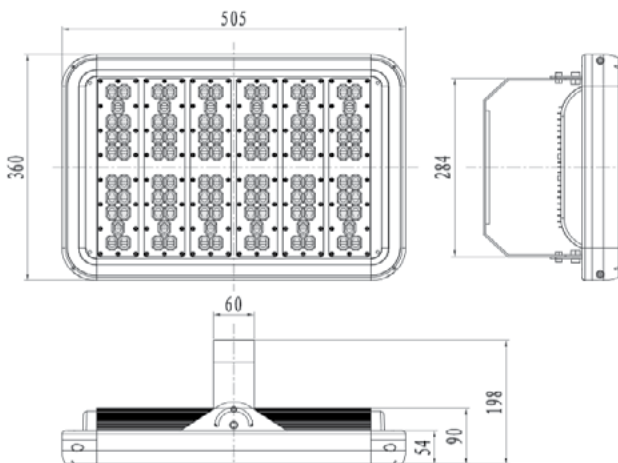
180
WATTS

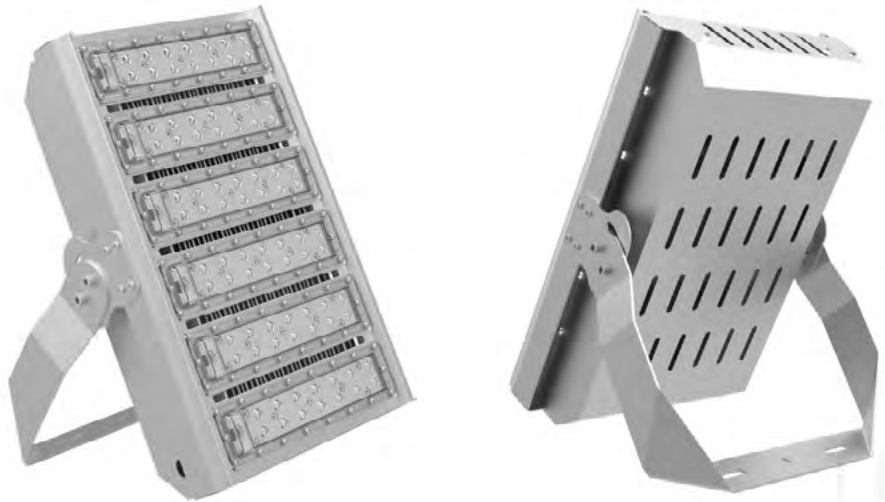
AC
240V

AVAILABLE IN

DESCRIPTION	CODE
Silver, 4000K	EX232 1BNS

Free Dialux Simulation available, provide plans and desired light levels.





SPECIFICATIONS

DIMENSIONS	L438 x W360 x D113mm
COLOUR TEMP	4000K Natural White
IP RATING	IP65
CRI	70
DIODE / LIFESPAN	Nichia LED / < 50,000 Hours
WORKING TEMP	-40° to 50°C
WORKING HUMIDITY	15% to 90% RH
POWER FACTOR	0.95
BEAM ANGLE	60° * 90°
MATERIAL	Aluminium
DRIVER	Incorporated (Non Dimmable)
APPLICATION	Commercial

Free Dialux Simulation available, provide plans and desired light levels.

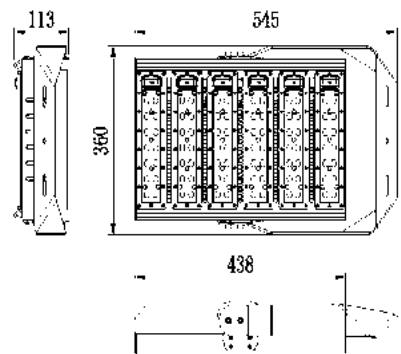
33,000
LUMENS

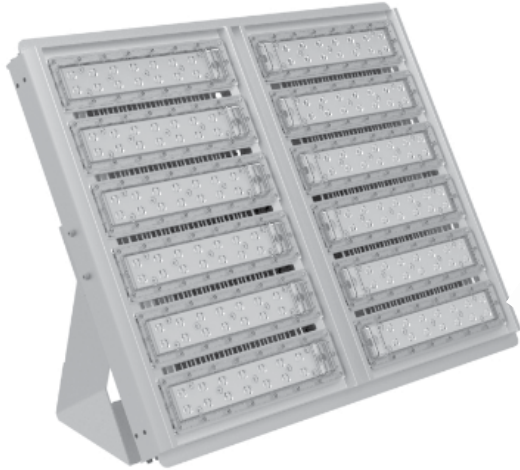
300
WATTS

AC
240V

AVAILABLE IN

DESCRIPTION	CODE
Silver, 4000K	EX235 1BNS





SPECIFICATIONS

DIMENSIONS	L460 x W620 x D113mm
COLOUR TEMP	4000K Natural White
IP RATING	IP65
CRI	70
DIODE / LIFESPAN	Nichia LED / < 50,000 Hours
WORKING TEMP	-40° to 50°C
WORKING HUMIDITY	15% to 90% RH
POWER FACTOR	0.95
BEAM ANGLE	60° * 90°
MATERIAL	Aluminium
DRIVER	Incorporated (Non Dimmable)
APPLICATION	Commercial

Free Dialux Simulation available, provide plans and desired light levels.

**42,750
LUMENS**

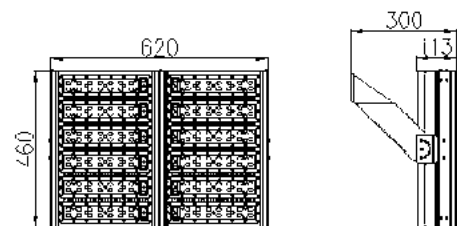
**450
WATTS**

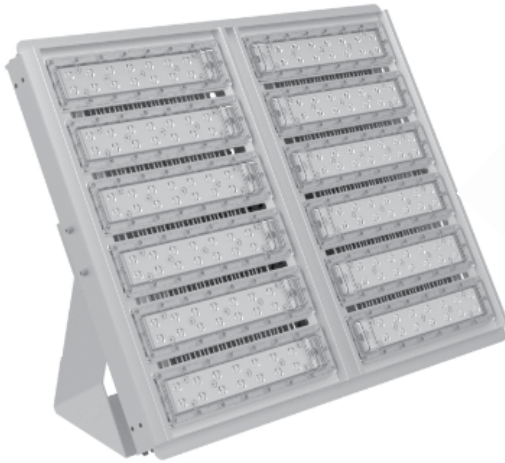
**AC
240V**

15

AVAILABLE IN

DESCRIPTION	CODE
Silver, 4000K	EX236 1BNS





SPECIFICATIONS

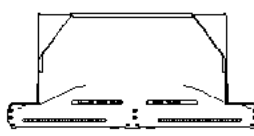
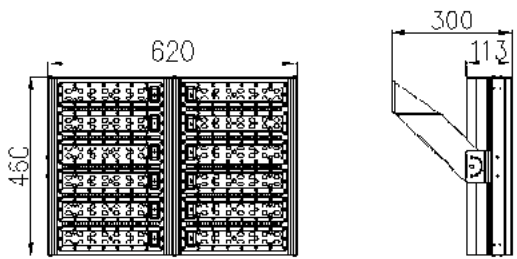
DIMENSIONS	L460 x W620 x D113mm
COLOUR TEMP	4000K Natural White
IP RATING	IP65
CRI	70
DIODE / LIFESPAN	Nichia LED / < 50,000 Hours
WORKING TEMP	-40° to 50°C
WORKING HUMIDITY	15% to 90% RH
POWER FACTOR	0.95
BEAM ANGLE	60° * 90°
MATERIAL	Aluminium
DRIVER	Incorporated (Non Dimmable)
APPLICATION	Commercial

66,000 LUMENS	600 WATTS	AC 240V
--------------------------	----------------------	--------------------

AVAILABLE IN

DESCRIPTION	CODE
Silver, 4000K	EX237 1BNS

1/ Indent order only, 8-10 Week lead time.
2/ Free Dialux Simulation available, provide plans and desired light levels.





SPECIFICATIONS

DIMENSIONS	L620 x W680 x D113mm
COLOUR TEMP	4000K Natural White
IP RATING	IP65
CRI	70
DIODE / LIFESPAN	Nichia LED / < 50,000 Hours
WORKING TEMP	-40° to 50°C
WORKING HUMIDITY	15% to 90% RH
POWER FACTOR	0.95
BEAM ANGLE	60° * 90°
MATERIAL	Aluminium
DRIVER	Incorporated (Non Dimmable)
APPLICATION	Commercial

**99,000
LUMENS**

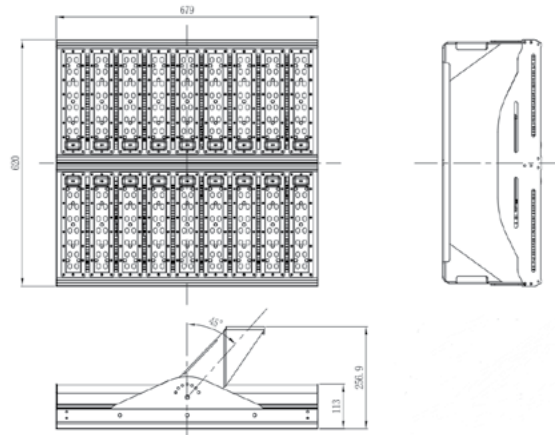
**900
WATTS**

**AC
240V**

AVAILABLE IN

DESCRIPTION	CODE
Silver, 4000K	EX238 1BNS

1/ Indent order only, 8-10 Week lead time.
2/ Free Dialux Simulation available, provide plans and desired light levels.



Multi-Use Spots*pg 369 - 373*

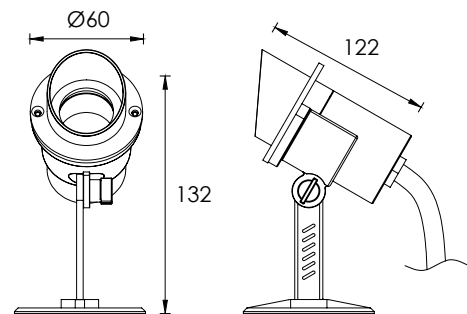


SPECIFICATIONS

COLOUR TEMP	2700K
INPUT VOLTAGE	24V DC
IP RATING	IP68
IK RATING	IK06
WORKING TEMP	-20° to 40°C
WORKING DEPTH	< 1m
TILT RANGE	125°
GLASS TYPE	Step Tempered Glass T=7mm
CRI	< 80
DIODE / LIFESPAN	Osram LED / < 40,000 Hours
BEAM ANGLE	35°
HOUSING / BRACKET	316 Stainless Steel
FEED	3m Feed with IP68 entry
DRIVER	Remote Driven, Sold separately 24V DC
APPLICATION	Underwater use only

24V PARALLEL	3 WATTS	140 LUMENS
------------------------	-------------------	----------------------

DIMENSIONS



INSTALLATION NOTES

Take pride with installation. All cable joints must be Resin or IP68 type (standard crimps, terminal blocks and PVC tape are not suitable cable joining methods.) Incorrect installation will result in water ingress and luminaire failure.

AVAILABLE IN

DESCRIPTION	CODE
316 STS 2700K	EX380 1PSSWL

UNDERWATER SPOT SMALL SURFACE MOUNT TILT C/W REMOVABLE TRIPOD ACCESSORY

EX381



SPECIFICATIONS

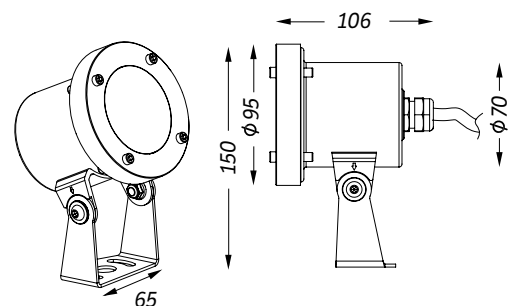
COLOUR TEMP	3000K
INPUT VOLTAGE	24V DC
IP RATING	IP68
IK RATING	IK06
WORKING TEMP	-20° to 40°C
WORKING DEPTH	< 1m
TILT RANGE	180°
GLASS TYPE	Step Tempered Glass T=7mm
CRI	< 80
DIODE / LIFESPAN	Osram LED / < 40,000 Hours
BEAM ANGLE	40°
HOUSING / BRACKET	316 Stainless Steel
FEED	3m Feed with IP68 entry
DRIVER	Remote Driven, Sold separately 24V DC
APPLICATION	Underwater use only

24V
PARALLEL

10
WATTS

607
LUMENS

DIMENSIONS



INSTALLATION NOTES

Take pride with installation. All cable joints must be IP68 type (standard crimps, terminal blocks and PVC tape are not suitable cable joining methods.) Incorrect installation will result in water ingress and luminaire failure.

AVAILABLE IN

DESCRIPTION	CODE
316 STS 3000K with tripod accessory	EX381 UPS

16

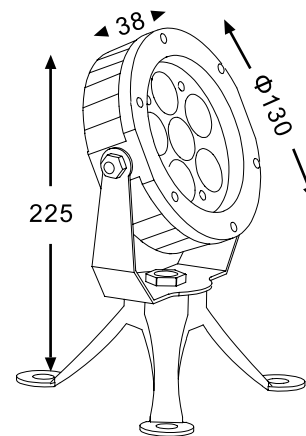


SPECIFICATIONS

COLOUR TEMP	3000K
INPUT VOLTAGE	24V DC
IP RATING	IP68
IK RATING	IK06
WORKING TEMP	-20° to 40°C
WORKING DEPTH	< 1m
TILT RANGE	180°
GLASS TYPE	Step Tempered Glass T=7mm
CRI	< 80
DIODE / LIFESPAN	Osram LED / < 40,000 Hours
BEAM ANGLE	15°
HOUSING / BRACKET	316 Stainless Steel
FEED	3m Feed with IP68 entry
DRIVER	Remote Driven, Sold separately 24V DC
APPLICATION	Underwater use only

24V PARALLEL	14.4 WATTS	576 LUMENS
------------------------	----------------------	----------------------

DIMENSIONS



INSTALLATION NOTES

Take pride with installation. All cable joints must be Resin or IP68 type (standard crimps, terminal blocks and PVC tape are not suitable cable joining methods.) Incorrect installation will result in water ingress and luminaire failure.

AVAILABLE IN

DESCRIPTION	CODE
316 STS 3000K with tripod accessory	EX382 1PSSWL

UNDERWATER SPOT LARGE SURFACE MOUNT TILT C/W TRIPOD ACCESSORY

EX383



SPECIFICATIONS

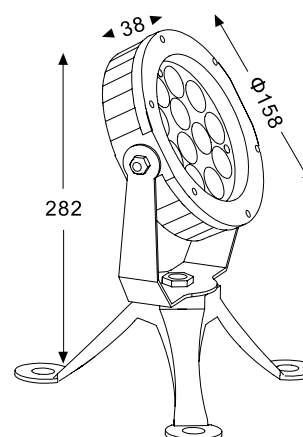
COLOUR TEMP	3000K
INPUT VOLTAGE	24V DC
IP RATING	IP68
IK RATING	IK06
WORKING TEMP	-20° to 40°C
WORKING DEPTH	< 1m
TILT RANGE	180°
GLASS TYPE	Step Tempered Glass T=7mm
CRI	< 80
DIODE / LIFESPAN	Osram LED / < 40,000 Hours
BEAM ANGLE	15°
HOUSING / BRACKET	316 Stainless Steel
FEED	3m Feed with IP68 entry
DRIVER	Remote Driven, Sold separately 24V DC
APPLICATION	Underwater use only

24V
PARALLEL

25
WATTS

950
LUMENS

DIMENSIONS



INSTALLATION NOTES

Take pride with installation. All cable joints must be Resin or IP68 type (standard crimps, terminal blocks and PVC tape are not suitable cable joining methods.) Incorrect installation will result in water ingress and luminaire failure.

AVAILABLE IN

DESCRIPTION	CODE
316 STS 3000K with tripod accessory	EX383 1PSSWL

16

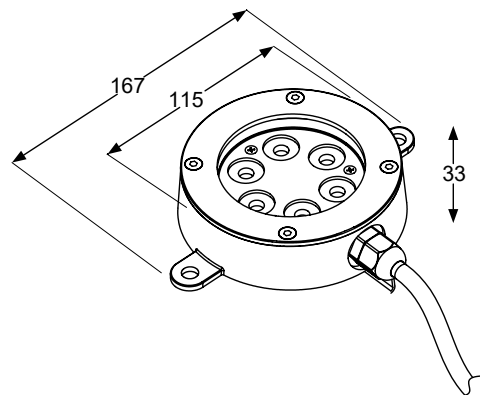


SPECIFICATIONS

COLOUR TEMP	3000K
INPUT VOLTAGE	24V DC
IP RATING	IP68
IK RATING	IK08
WORKING TEMP	-20° to 40°C
WORKING DEPTH	< 1m
GLASS TYPE	Step Tempered Glass T=8mm
CRI	< 80
DIODE / LIFESPAN	Osram LED / < 40,000 Hours
BEAM ANGLE	25°
HOUSING / BRACKET	316 Stainless Steel
FEED	3m Feed with IP68 entry
DRIVER	Remote Driven, Sold separately 24V DC
APPLICATION	Underwater use only

24V PARALLEL	13 WATTS	520 LUMENS
-------------------------	---------------------	-----------------------

DIMENSIONS



INSTALLATION NOTES

Take pride with installation. All cable joints must be Resin or IP68 type (standard crimps, terminal blocks and PVC tape are not suitable cable joining methods.) Incorrect installation will result in water ingress and luminaire failure.

AVAILABLE IN

DESCRIPTION	CODE
316 STS 3000K	EX385 1PSSWL



HALCYON
Lighting New Zealand





IP68 Joints
pg 377 - 378

1.5mm Flex
pg 379



SPECIFICATIONS

IP RATING	IP68
TERMINATION	Screw Fixing
CONTACTS	Brass, Nickel Plated
CABLE MINIMUM	5mm Diameter
CABLE MAXIMUM	14mm Diameter
SEALING GASKETS	Silicon (two sizes)
HOUSING	PA66, UL94-V0
PARAMETERS	450V, PTI 250, T85
COMPLETE WITH	Silicon seals and terminal block, choose between standard 3 Pole or 5 Pole for RGBW connections
APPLICATION	2 Way Exterior Cable Joints

AVAILABLE IN

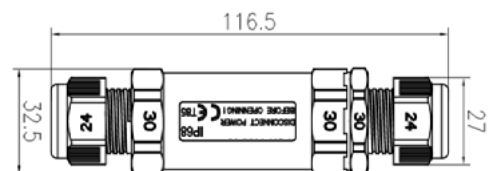
2 WAY CABLE JOINT 3 POLE

DESCRIPTION	CODE
3 Pole IP68 Cable Joint	EX100 CJ13

2 WAY CABLE JOINT 5 POLE

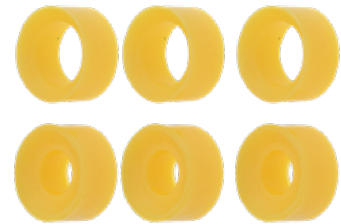
DESCRIPTION	CODE
5 Pole IP68 Cable Joint	EX100 CJ15

DIMENSIONS



INSTALLATION NOTES

Incorrect installation will result in water ingress and luminaire failure. Ensure cable surface is clean before running through joint, use correct silicon seals according to your cable gauge.



SPECIFICATIONS

IP RATING	IP68
TERMINATION	Screw Fixing
CONTACTS	Copper, Nickel Plated
CABLE MINIMUM	5mm Diameter
CABLE MAXIMUM	14mm Diameter
SEALING GASKETS	Silicon (two sizes)
HOUSING	PA66, UL94-V0
PARAMETERS	450V, PTI 250, T85
COMPLETE WITH	Silicon seals and terminal block, choose between standard 3 Pole or 5 Pole for RGBW connections
APPLICATION	Exterior "T" Cable Joints

INSTALLATION NOTES

Incorrect installation will result in water ingress and luminaire failure. Ensure cable surface is clean before running through joint, use correct silicon seals according to your cable gauge.

AVAILABLE IN

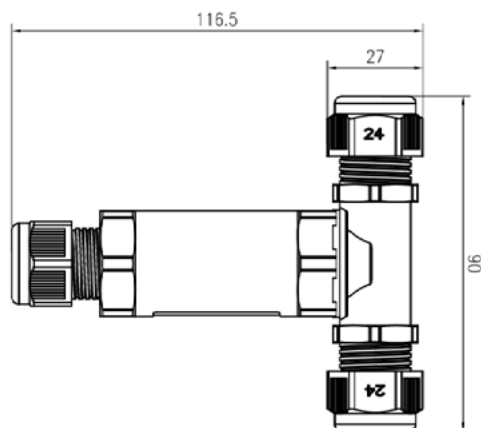
3 WAY T CABLE JOINT 3 POLE

DESCRIPTION	CODE
3 Pole IP68 "T" Cable Joint	EX100 CJT3

3 WAY T CABLE JOINT 5 POLE

DESCRIPTION	CODE
5 Pole IP68 "T" Cable Joint	EX100 CJT5

DIMENSIONS



AVAILABLE IN



HO7RN-F 2x1.5 (50M ROLL)

DESCRIPTION	CODE
Brown / Blue 1.5mm	FLEX2C1.5



HO7RN-F 3x1.5 (50M ROLL)

DESCRIPTION	CODE
Brown / Blue / Green-Yellow 1.5mm	FLEX3C1.5



HO7RN-F 4x1.5 (50M ROLL)

DESCRIPTION	CODE
Brown / Blue / Green-Yellow / Black 1.5mm	FLEX4C1.5



HO7RN-F 4x1.5 (50M ROLL)

DESCRIPTION	CODE
Brown / Blue / Green-Yellow / Black / Grey 1.5mm	FLEX5C1.5

INSTALLATION NOTES

Take pride with installation. All cable joints must be Resin or IP68 type (standard crimps, terminal blocks and PVC tape are not suitable cable joining methods.) Incorrect installation will result in water ingress and luminaire failure.





**NEW
PRODUCT
05/2018**





SPECIFICATIONS

DIMENSIONS	D90 x H36mm Concrete housing: D76 x H66mm
CUT OUT	72mm
COLOUR TEMP	2700K Ultra Warm White
BEAM ANGLE	120°
CRI	80
IP RATING	IP65
DIODE / LIFESPAN	Lumileds LED / < 40,000 Hours
WARRANTY	5 Year Warranty
MATERIAL	Aluminium
DRIVER	Not Included (24V)
CURRENT DRAW	0.13A per fitting
APPLICATION	Interior / Exterior recessed wall, comes complete with plastic housing accessory (pictured) for concrete installation

3 WATTS	160 LUMENS	24V PARALLEL CV
--------------------	-----------------------	--------------------------------

AVAILABLE IN

DESCRIPTION	CODE
Matte Textured Black 2700K	EX900 B3

Drivers sold separately, specify when ordering.





SPECIFICATIONS

DIMENSIONS	L90 x W90 x D36mm Concrete housing: L83 x W83 x D66mm
CUT OUT	72 x 72mm
COLOUR TEMP	2700K Ultra Warm White
BEAM ANGLE	120°
IP RATING	IP65
CRI	80
WARRANTY	5 Year Warranty
DIODE / LIFESPAN	Lumileds LED / < 40,000 Hours
MATERIAL	Aluminium
DRIVER	Not Included (24V)
CURRENT DRAW	0.13A per fitting
APPLICATION	Interior / Exterior recessed wall, comes complete with plastic housing accessory (pictured) for concrete installation

3 WATTS	160 LUMENS	24V PARALLEL CV
--------------------	-----------------------	--------------------------------

AVAILABLE IN

DESCRIPTION	CODE
Matte Textured Black 2700K	EX901 B3



Drivers sold separately, specify when ordering.



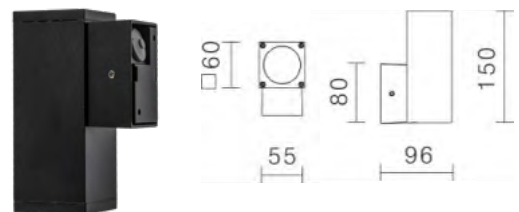
SPECIFICATIONS

DIMENSIONS	L150mm x W60mm x D96mm
CCT / LUMENS	3000K Warm White / 1500lm
IP RATING	IP65
IK RATING	IK06
CRI	85
LIFESPAN	50,000 Hours (L70)
WARRANTY	5 Year Warranty
BEAM ANGLE	40°
MATERIAL	Aluminum , PC
DRIVER	Dimmable Driver incorporated in base
APPLICATION	Exterior Residential and Commercial, suitable for use in both upwards or downwards orientation. Install with pride, ensure base is adequately sealed with silicon for watertight cable entry.

AC
240V


13
WATTS

1500
LUMENS



AVAILABLE IN

DESCRIPTION	CODE
Black / 3000K	EX160 B3K

 Dimmable Driver Incorporated

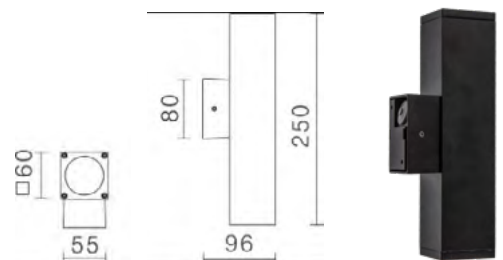
Alternative colours, drivers and CCT available on indent order, MOQ's apply.



SPECIFICATIONS


DIMENSIONS	L250mm x W60mm x D96mm
CCT / LUMENS	3000K Warm White / 1500lm x2
IP RATING	IP65
IK RATING	IK06
CRI	85
LIFESPAN	50,000 Hours (L70)
WARRANTY	5 Year Warranty
BEAM ANGLE	40°
MATERIAL	Aluminum , PC
DRIVER	Dimmable Driver incorporated in base
APPLICATION	Exterior Residential and Commercial. Install with pride, ensure base is adequately sealed with silicon for watertight cable entry.

AC 240V **2x13 WATTS** **2x1500 LUMENS**



AVAILABLE IN

DESCRIPTION	CODE
Black / 3000K	EX161 B3K

 Dimmable Driver Incorporated

Alternative colours, drivers and CCT available on indent order, MOQ's apply.

Surface Mount Column Spot
One Way Up or Down X-Low Glare

EX150



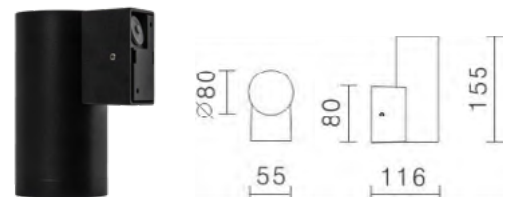
SPECIFICATIONS

DIMENSIONS	L155mm x H116mm Spot Diameter: 80mm
CCT / LUMENS	3000K Warm White / 1500lm
IP RATING	IP65
IK RATING	IK06
CRI	85
LIFESPAN	50,000 Hours (L70)
WARRANTY	5 Year Warranty
BEAM ANGLE	40°
MATERIAL	Aluminum , PC
DRIVER	Dimmable Driver incorporated in base
APPLICATION	Exterior Residential and Commercial, suitable for use in both upwards or downwards orientation. Install with pride, ensure base is adequately sealed with silicon for watertight cable entry.

AC
240V


13
WATTS

1500
LUMENS



AVAILABLE IN

DESCRIPTION	CODE
Black / 3000K	EX150 B3K

 Dimmable Driver Incorporated

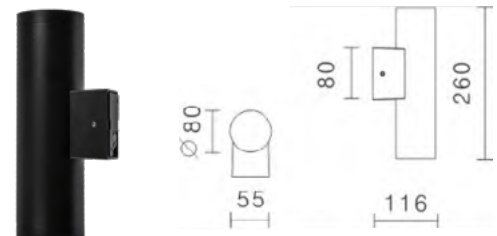
Alternative colours, drivers and CCT available on indent order, MOQ's apply.



SPECIFICATIONS

DIMENSIONS	L260mm x H116mm Spot Diameter: 80mm
CCT / LUMENS	3000K Warm White / 1500lm x2
IP RATING	IP65
IK RATING	IK06
CRI	85
LIFESPAN	50,000 Hours (L70)
WARRANTY	5 Year Warranty
BEAM ANGLE	40°
MATERIAL	Aluminum , PC
DRIVER	Dimmable Driver incorporated in base
APPLICATION	Exterior Residential and Commercial. Install with pride, ensure base is adequately sealed with silicon for watertight cable entry.

AC 240V	2×13 WATTS	2×1500 LUMENS
-------------------	----------------------	-------------------------



AVAILABLE IN

DESCRIPTION	CODE
Black / 3000K	EX151 B3K

	Dimmable Driver Incorporated
--	------------------------------

Alternative colours, drivers and CCT available on indent order, MOQ's apply.

Wall Cylinder Two Way "Up Down" Adjustable Beam 2 x 3W

EX908



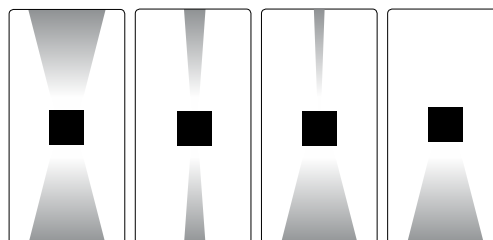
SPECIFICATIONS

DIMENSIONS	D140 x H90mm
CUT OUT	N/A Surface Mount
COLOUR TEMP	3000K Warm White
CRI	80
IP RATING	IP65
DIODE / LIFESPAN	Lumileds LED / 40,000 Hours
WARRANTY	5 Year Warranty
BEAM ANGLE	Adjustable 0 - 120°
MATERIAL	Aluminium
DRIVER	Incorporated, dimmable
APPLICATION	Interior & Exterior wall

AVAILABLE IN

DESCRIPTION	CODE
Matte Textured Black 3000K	EX908 B3
Matte Textured Charcoal 3000K	EX908 C3
Matte Textured White 3000K	EX908 W3

230 LUMENS	2x3 WATTS	AC 240V
-----------------------	----------------------	--------------------



Independently Adjustable Beam Angle



Dimmable Driver Incorporated

Alternative colours and CCT available on indent order, MOQ's apply.

Wall Cube Two Way "Up Down"

Adjustable Beam 2 x 3W

March 2018 Updated Design

EX909

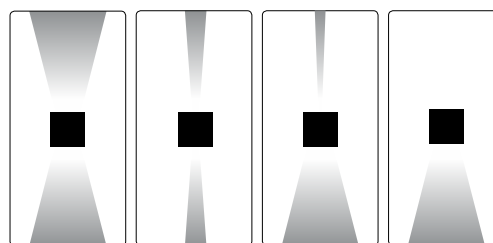


SPECIFICATIONS

DIMENSIONS	L100 x W100 x D90mm
CUT OUT	N/A Surface Mount
COLOUR TEMP	3000K Warm White
CRI	80
IP RATING	IP65
DIODE / LIFESPAN	Lumileds LED / 40,000 Hours
WARRANTY	5 Year Warranty
BEAM ANGLE	Adjustable 0 - 120°
MATERIAL	Aluminium
DRIVER	Incorporated, dimmable
APPLICATION	Interior & Exterior wall

AVAILABLE IN

DESCRIPTION	CODE
Matte Textured Black 3000K	EX909 B3
Matte Textured Charcoal 3000K	EX909 C3
Matte Textured White 3000K	EX909 W3



Independently Adjustable Beam Angle



Dimmable Driver Incorporated

Alternative colours and CCT available on indent order, MOQ's apply.

Wall Cylinder Two Way "Up Down"
Adjustable Beam 2 x 6W

EX918



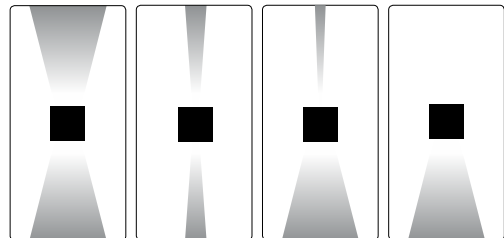
SPECIFICATIONS

DIMENSIONS	D170 x H120mm
CUT OUT	N/A Surface Mount
COLOUR TEMP	3000K Warm White
CRI	80
IP RATING	IP65
DIODE / LIFESPAN	Lumileds LED / 40,000 Hours
WARRANTY	5 Year Warranty
BEAM ANGLE	Adjustable 0 - 120°
MATERIAL	Aluminium
DRIVER	Incorporated, dimmable
APPLICATION	Interior & Exterior wall

AVAILABLE IN

DESCRIPTION	CODE
Matte Textured Black 3000K	EX918 B3
Matte Textured Charcoal 3000K	EX918 C3
Matte Textured White 3000K	EX918 W3

570 LUMENS	2x6 WATTS	AC 240V
----------------------	---------------------	-------------------



Independently Adjustable Beam Angle



Dimmable Driver Incorporated

Alternative colours and CCT available on indent order, MOQ's apply.

Wall Cube Two Way "Up Down" Adjustable Beam 2 x 6W

EX919



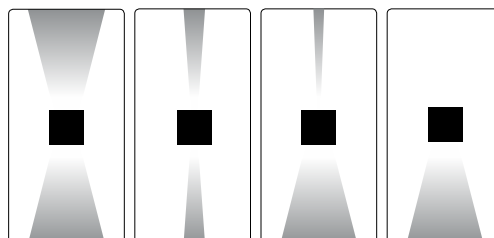
SPECIFICATIONS

DIMENSIONS	L120 x W120 x H120mm
CUT OUT	N/A Surface Mount
COLOUR TEMP	3000K Warm White
CRI	80
IP RATING	IP65
DIODE / LIFESPAN	Lumileds LED / 40,000 Hours
WARRANTY	5 Year Warranty
BEAM ANGLE	Adjustable 0 - 120°
MATERIAL	Aluminium
DRIVER	Incorporated, dimmable
APPLICATION	Interior & Exterior wall

AVAILABLE IN

DESCRIPTION	CODE
Matte Textured Black 3000K	EX919 B3
Matte Textured Charcoal 3000K	EX919 C3
Matte Textured White 3000K	EX919 W3

570 LUMENS	2x6 WATTS	AC 240V
----------------------	---------------------	-------------------



Independently Adjustable Beam Angle



Dimmable Driver Incorporated

Alternative colours and CCT available on indent order, MOQ's apply.

Wall Cylinder Two Way "Up Down" Adjustable Beam 2 x 9W

EX920



SPECIFICATIONS

DIMENSIONS	D200 x H150mm
CUT OUT	N/A Surface Mount
COLOUR TEMP	3000K Warm White
CRI	80
IP RATING	IP65
DIODE / LIFESPAN	Lumileds LED / 40,000 Hours
WARRANTY	5 Year Warranty
BEAM ANGLE	Adjustable 0 - 120°
MATERIAL	Aluminium
DRIVER	Incorporated, dimmable
APPLICATION	Interior & Exterior wall

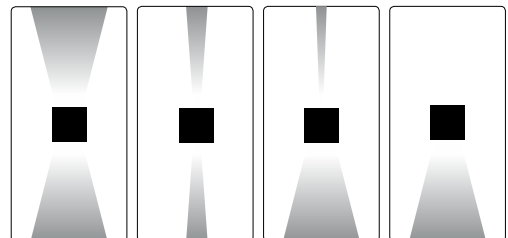
AVAILABLE IN

DESCRIPTION	CODE
Matte Textured Black 3000K	EX920 B3
Matte Textured Charcoal 3000K	EX920 C3
Matte Textured White 3000K	EX920 W3

**900
LUMENS**

**2x9
WATTS**

**AC
240V**



Independently Adjustable Beam Angle



Dimmable Driver Incorporated

Alternative colours and CCT available on indent order, MOQ's apply.

Wall Cube Two Way "Up Down" Adjustable Beam 2 x 9W

EX921



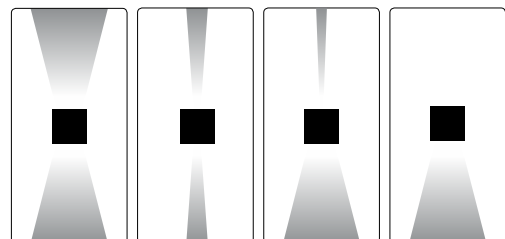
SPECIFICATIONS

DIMENSIONS	L150 x W150 x H150mm
CUT OUT	N/A Surface Mount
COLOUR TEMP	3000K Warm White
CRI	80
IP RATING	IP65
DIODE / LIFESPAN	Lumileds LED / 40,000 Hours
WARRANTY	5 Year Warranty
BEAM ANGLE	Adjustable 0 - 120°
MATERIAL	Aluminium
DRIVER	Incorporated, dimmable
APPLICATION	Interior & Exterior wall

AVAILABLE IN

DESCRIPTION	CODE
Matte Textured Black 3000K	EX921 B3
Matte Textured Charcoal 3000K	EX921 C3
Matte Textured White 3000K	EX921 W3

900 LUMENS	2x9 WATTS	AC 240V
----------------------	---------------------	-------------------



Independently Adjustable Beam Angle



Dimmable Driver Incorporated

Alternative colours and CCT available on indent order, MOQ's apply.

Constant voltage luminaires require a constant voltage is supplied from the driver (for example the majority of Halcyon exterior constant voltage lighting requires 24 Volts) For these lights the voltage is fixed by the driver but the “current” varies.

Constant voltage lighting *MUST* be wired in parallel

The current required from a Constant Voltage driver increases with the number of lights. For example, Three luminaires will draw three times as much current as a single luminaire.

If you are wiring a 12V constant voltage luminaire to a battery circuit, you need to run a DC primary feed driver to regulate voltage supply. When under charge a battery system voltage can increase significantly which would damage the luminaire.

Output Power [W]

When choosing a driver the total output power of the lighting must be taken into account. Constant Voltage drivers have a maximum output wattage, you must stay under this parameter for optimal performance and Driver lifespan.

Output Current [A]

When choosing a Constant Voltage LED driver you must observe the current requirements of your light source/s to ensure you are using a big enough driver (see example below). A common sign that your circuit exceeds the maximum output current of your chosen driver is flashing / strobing lighting.

Output Voltage [V]

For constant voltage, the DC output voltage of the Driver must meet the LED requirements. e.g. 24V requires a 24V Driver.

Constant Voltage: Typical Applications

- LED Linear Strip light (LED Tape)
- Remote Driven Exterior lighting e.g. Exterior ingrounds or spike spots

Constant Voltage Common Example: Remote driven 24V exterior lighting.

Customer requires 9 x EX192 8W Constant Voltage exterior spike spots from a single 240V power supply. The total circuit wattage equals 72W.

Do you choose option 1 or option 2?

Option 1: Halcyon 75W 24V Driver (output current 0 - 3.15A)

Option 2: Halcyon 150W 24V Driver (output current 0 – 6.3A)

Answer: Option 2 - Always check secondary amperage of driver is rated above the current draw of total number of luminaires.

In this case the total current draw of the 9 x EX192 spike spots would exceed the output current parameters of the 75W driver (Option 1) resulting in flickering lighting and significantly reduced driver lifespan. Each EX192 draws 0.36A (360mA), so across the parallel circuit the total current draw from the 9 Spike spots is 3.24A. If in doubt always use a bigger than necessary CV Driver to ensure output current is covered.

Constant current luminaires require a constant current is supplied from the driver (e.g 260mA or 500mA). The output of Constant Current drivers is referred to as mA or Milliamps. For Constant Current lighting the current is fixed by the driver but the voltage can vary.

IMPORTANT: CONSTANT CURRENT LED FITTINGS MUST BE WIRED IN SERIES ENSURING CORRECT POLARITY. INCORRECT POLARITY / WIRING WILL CAUSE PERMANENT LAMP AND/OR DRIVER FAILURE.

PULSING /FLASHING LIGHTING INDICATES INCORRECT WIRING POWER OFF IMMEDIATELY.

Pulsing or flashing results from the tripping and resetting of the circuit protection in the driver as it cuts the power and then tries to turn itself back on only to find the fault in the circuit still exists so it cuts the power once more. This will generally always save the driver from failure but is unfortunately not the case for the lighting on the circuit. **In a series circuit if one light is damaged from incorrect wiring it will break the circuit causing all lighting on the circuit to go out. Halcyon does not accept responsibility for failures from incorrect wiring. All lighting sold by Halcyon goes through a burn in process at the factory and are pre wired and tested 100% working prior to being sold.**

The voltage required from a Constant Current driver increases with the number of lights. Four luminaires connected in series require four times the voltage of a single luminaire. Majority of Halcyon Constant Current lighting is sold complete pre wired with a Constant Current Driver, however in the case of small display lighting or large commercial lighting where drivers are chosen separately the following information is relevant.

Output Power [W]

When choosing a driver the total output power of the lighting must be taken into account. Constant Current drivers have a minimum **AND** maximum output wattage, you must stay within these parameters for optimal performance and Driver lifespan.

Output Current [mA]

When choosing a Constant Current LED driver you must observe the current requirements of your light source/s. See Halcyon specification sheets. Some lighting can be under-run at lower milliamps to reduce light output, however always check with us to verify. All diodes require a specific working voltage, sometimes under-running diodes can lower the voltage below the designed parameters causing failure or flickering. Running a higher than specified mA will lead to failure or significantly reduced lifespan of an LED.

Output Voltage [V]

For constant current, the output voltage of the Driver must exceed the LED requirements.

Constant Current: Typical Applications

- Most LED lighting e.g. Downlights and High wattage Commercial and Industrial Lighting

Constant Current Common Example: Remote driven 350mA Mini Display/Cabinet lights

Customer requires 3 x R744 4W 350mA 10.5V mini display lights wired from one power supply

Do you choose option 1 or option 2?

Option 1: 12W 350mA Driver (output voltage 2-30V)

Option 2: 20W 350mA Driver (output voltage 2-58V)

Answer: Option 2 - Always check both output wattage and voltage of driver is rated above the wattage / voltage requirement of total number of luminaires on the circuit to avoid overloading. If you are unsure or it seems very close, go a size bigger. (3x 10.5V = 31.5V total which exceeds driver 1 voltage parameters)