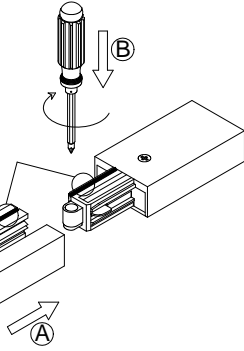


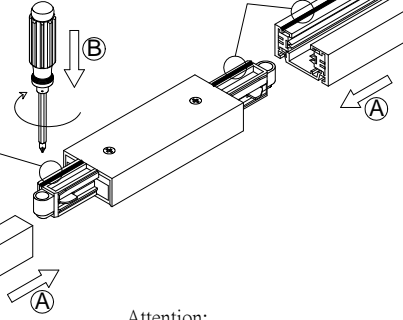
T540

These must be installed by a qualified Registered Electrician to prevent damage and maintain electrical safety.



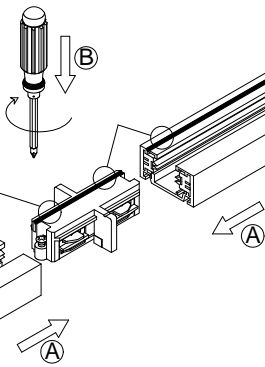
Attention:
These two slot should at the same side.

T548



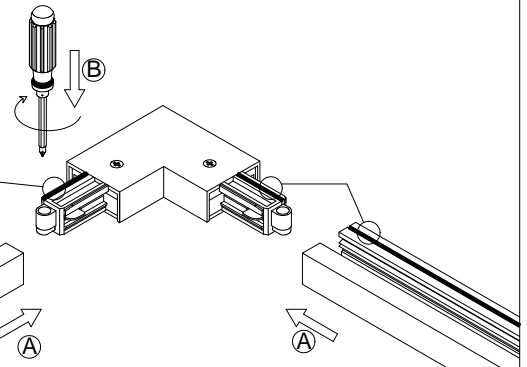
Attention:
These two slot should at the same side.

T542



Attention:
These two slot should at the same side.

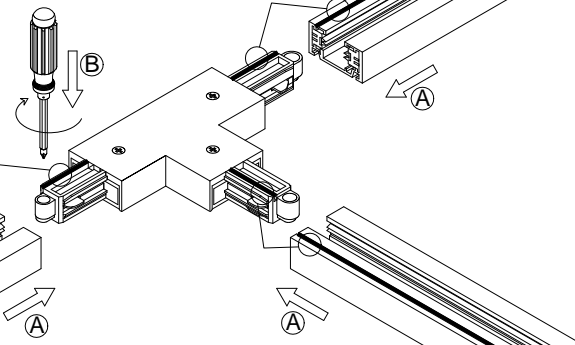
T543



Attention:
These two slot should at the same side.

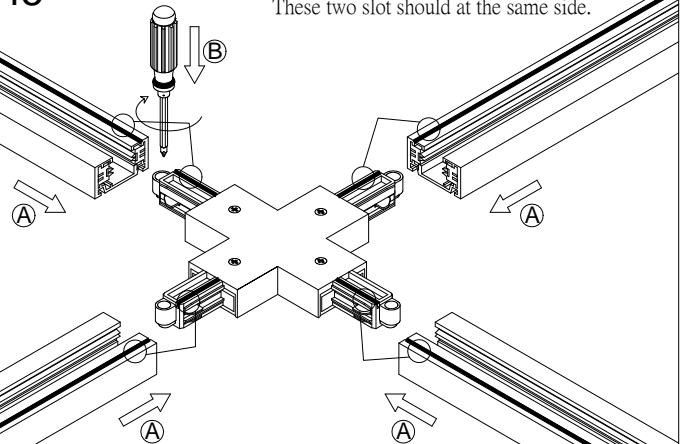
T544

Attention:
These two slot should at the same side.

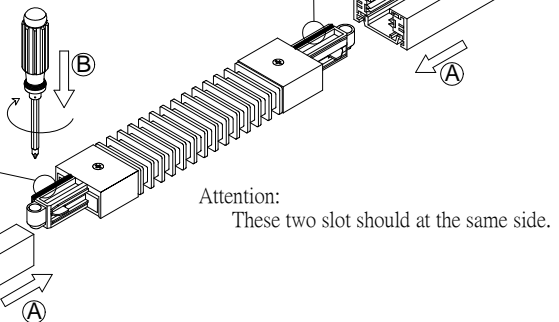


T545

Attention:
These two slot should at the same side.



T546



Attention:
These two slot should at the same side.

